




Memorandum from Purchasing Department

Letter of Instruction for IFB #251-26-046

To: Prospective Parties

Thank you for your interest in the Wake County Public School System. Please review the following instructions prior to submitting your proposal.

- **Prior to submitting and executing the proposal, please make sure you read and understand the terms and conditions referenced. All proposals are subject to the terms and conditions outlined herein. All responses will be controlled by such terms and conditions and the submission of other terms and conditions, price lists, catalogs, and/or other documents as part of an offeror's response will be waived and have no effect either on this Information for Bids or on any contract that may be awarded resulting from this solicitation. The attachment of any other terms and conditions by the Offeror may be grounds for rejection of that proposal. Offeror specifically agrees to the conditions set forth in the above paragraph by signature to the proposal.**
- **Please read carefully the section titled CONFIDENTIALITY AND PROHIBITED COMMUNICATIONS DURING THE IFB PROCESS. All questions should be directed to bids-crogers7@wcpss.net.**
- **Offerors are cautioned that this is a request for offers, not a request to contract, and WCPSS reserves the unqualified right to reject any and all offers when such rejection is deemed to be in the best interest of WCPSS.**
- **In submitting a proposal, the Offeror agrees not to use the results there from as part of any news release or commercial advertising.**
- **Submit one (1) signed, original executed proposal responses, and one (1) electronic copy on a flash drive (emails not accepted) of your proposal simultaneously to the address identified below.**
- **Clearly mark each package with: (1) Vendor name; (2) the IFB number; and (3) the due date. Address the package(s) for delivery as shown in the table below. If Vendor is submitting more than one (1) proposal, each proposal shall be submitted in separate envelopes and marked accordingly. For delivery purposes, separate envelopes from a single Vendor may be included in the same outer package. Proposals are subject to rejection unless submitted with the information above included on the outside of the proposal package.**

	Invitation for Bid # 251-26-046	
	Proposals will be publicly opened: June 30, 2025 @ 1:00 PM/ET	
1551 Rock Quarry Rd – Bldg. F Raleigh, NC 27610	Contract Type: Open Market	
Refer ALL Inquiries to: Clarence Rogers Telephone No: 919-588-3546	Commodity: 481016 - CHILD NUTRITION SERVICES/FOOD PREPARATION EQUIPMENT	
E-Mail: bids-crogers7@wcpss.net	Using Agency Name: WAKE COUNTY PUBLIC SCHOOL SYSTEM	

NOTICE TO BIDDERS

Proposals, subject to the conditions made a part hereof, will be received at this office (1551 Rock Quarry Road, Raleigh, NC) until 2:00 p.m. on the day of opening and then opened, for furnishing and delivering the commodity as described herein. Proposals submitted via facsimile (FAX) machine in response to this Invitation for Proposals will not be accepted. Proposals are subject to rejection unless submitted on this form.

EXECUTION

In compliance with this Invitation for Bid, and subject to all the conditions herein, the undersigned offers and agrees to furnish and deliver any or all items upon which prices are bid, at the prices set opposite each item within the time specified herein. By executing this bid, I certify that this bid is submitted competitively and without collusion (G.S. 143-54), that none of our officers, directors, or owners of an unincorporated business entity has been convicted of any violations of Chapter 78A of the General Statutes, the Securities Act of 1933, or the Securities Exchange Act of 1934 (G.S. 143-59.2), and that we are not an ineligible vendor as set forth in G.S. 143-59.1. False certification is a Class I felony. Vendors are subject to immediate disqualification at any stage of the selection process for any of the following:

- The submission of false or misleading information in the vendor’s proposal.
- Any efforts to dissuade or discourage other vendors from submitting proposals.
- Any efforts to influence, dictate, or change the terms of another vendor’s proposal.
- Any form of bid collusion or bid rigging.

Failure to execute/sign bid prior to submittal shall render bid invalid. Late bids are not acceptable.

BIDDER:		FEDERAL ID OR SOCIAL SECURITY NO.	
STREET ADDRESS:		P.O. BOX:	ZIP:
CITY & STATE & ZIP:		TELEPHONE NUMBER:	TOLL FREE TEL. NO (800)
PRINCIPAL PLACE OF BUSINESS ADDRESS IF DIFFERENT FROM ABOVE			
TYPE OR PRINT NAME & TITLE OF PERSON SIGNING:		FAX NUMBER:	
AUTHORIZED SIGNATURE:	DATE:	E-MAIL:	

Offer valid for 45 days from date of bid opening unless otherwise stated here: ____ days.
 Prompt Payment Discount _____% _____ days.

IFB SCHEDULE

The table below shows the intended schedule for this IFB. WCPSS will make every effort to adhere to this schedule

Event	Responsibility	Date and Time (ET.)
Issue IFB	WCPSS	June 13, 2025
Submit Written Questions	Vendor	June 17, 2025, by 2:00 PM ET
Provide Response to Questions	WCPSS	June 20, 2025, by End of Business
Submit Proposals	Vendor	June 30, 2025, at 1:00 PM ET

PROPOSAL QUESTIONS

Upon review of the IFB documents, Vendors may have questions to clarify or interpret the IFB in order to submit the best proposal possible. To accommodate the Proposal Questions process, Vendors shall submit any such questions by the above due date.

Written questions shall be emailed to bids-crogers7@wcpss.net by the date and time specified above. Vendors should enter “**IFB 251-26-046 Questions**” as the subject for the email. Question’s submittals should include a reference to the applicable IFB section and be submitted in a format shown below:

Reference	Vendor Question
IFB Section, Page Number	Vendor question ...?

Questions received prior to the submission deadline date, WCPSS’ response, and any additional terms deemed necessary by WCPSS will be posted in the form of an addendum and shall become an Addendum to this IFB. No information, instruction or advice provided orally or informally by any WCPSS personnel, whether made in response to a question or otherwise in connection with this IFB, shall be considered authoritative or binding. Vendors shall rely only on written material contained in an Addendum to this IFB. Addendums associated with the Invitation for Bid will be posted to the following links and it will be the vendor’s responsibility to adhere to and check these addendums prior to bid submittal:

- <http://webarchive.wcpss.net/about-us/purchasing/open-bids.html>
- <https://evp.nc.gov/solicitations/>

PROPOSAL SUBMITTAL

Proposals, subject to the conditions made a part hereof and the receipt requirements described below, shall be received at the address indicated in the table below, for furnishing and delivering those items or services as described herein.

Mailing address for delivery of proposal
 PROPOSAL NUMBER: IFB: 251-26-046
 Wake County Public Schools
 ATTN: Clarence Rogers
 1551 Rock Quarry Rd. Building F
 Raleigh, NC 27610

TRANSPORTATION CHARGES: “**FOB Destination Baucom Elementary School, 400 Hunter Street, Apex, North Carolina 27502 with all transportation charges prepaid and included in the bid price proposal.**”

IMPORTANT NOTE: All responses shall be physically delivered to the office address listed above on or before the bid due date in order to be considered timely, regardless of the method of delivery. **This is an absolute requirement.** All risk of late arrival due to unanticipated delay—whether delivered by hand, U.S. Postal Service, courier, or other delivery service is entirely on the Vendor. It is the sole responsibility of the Vendor to have the bid physically in this Office by the specified time and date of opening. The time of delivery will be marked on each bid when received, and any bid received after the bid submission deadline will be rejected. Sealed bids, subject to the conditions made a part hereof, will be received at the address indicated in the table in this Section, for furnishing and delivering the commodity as described herein.

- a) Submit **one (1) signed, original executed** bid response and one (1) electronic copy (flash drive) simultaneously to the address identified in the table above.

- b) **Submit your bid in a sealed package. Clearly mark each package with: (1) Vendor name; (2) the IFB number; and (3) the due date. Address the package(s) for delivery as shown in the table above.** If Vendor submits more than one (1) proposal, each proposal shall be submitted in separate envelopes and marked accordingly. For delivery purposes, separate envelopes from a single Vendor may be included in the same outer package. Proposals are subject to rejection unless submitted with the information above included on the outside of the proposal package.
- c) **The electronic copies of your bid must be provided on separate read-only electronic flash drive.** The files on the flash drive **shall NOT** be password protected, shall be in .PDF and/or .XLS format, and shall be capable of being copied to other media including readable in Microsoft Word and/or Microsoft Excel.

METHOD OF AWARD

1. All qualified bids will be evaluated, and awards will be made based on the most responsive/responsible low bid meeting the requirements specified in the "REQUIREMENTS" section below which includes criteria considered to be in the best interest of the district.
2. Vendors shall not be considered who are not approved or authorized by The State of North Carolina to do business with The State of North Carolina.
3. WCPSS reserves the right to waive any minor informality or technicality in bids received.

BACKGROUND

The Wake County Public School System (WCPSS) is currently the largest school district in North Carolina and the 15th largest in the United States. There are currently 199 schools serving a student population of approximately 160,000, with approximately 20,000 staff. Wake County covers 854 square miles. Additional information about the school system can be accessed via the internet site (www.wcpss.net).

PURPOSE AND OBJECTIVE

The Wake County Public School System is seeking competitive bids from qualified Vendors to furnish, delivery, set in place, and set up ready for installation molded fiberglass serving lines with stainless steel counter tops. **Vendor shall have ten (10) calendar days to provide the submittals once the request has been made by WCPSS.**

SCOPE OF WORK

Specified serving line is to have molded fiberglass bodies, unless specified otherwise. All counter tops are to be 30" wide and fabricated from 14-gauge stainless steel with square turn downs on all sides and corners, fully welded, ground and polished. Tops are to have #4 satin finish, and all edges are to have #7 hi-lite finish. All counter heights are to be approved by Child Nutrition at time of submittal drawing presentation by awarded Foodservice Dealer. Color of fiberglass bodies will also be confirmed after receipt of color rendering from the manufacturer.

All serving line bodies furnished with smooth exterior surfaces in seamless molded fiberglass with rounded corners. All counters are to be constructed by hand lay-up process with four layers of 1.5 oz. continuous strand fiberglass Matt. Fiberglass is to be flame retardant per specification ASTM E-162. All bodies are to be open base construction with stainless steel interior liners. Provide a 4" wide 12-gauge "U" channel in interior of body to reinforce the shape of the bodies. The "U" channels are to be in the bodies to also secure the locking casters on the bottom and insure integrity of each Counter. All counters are to be furnished with 5" heavy duty locking swivel casters.

Tables furnished with Quick/Switch wells provide the opportunity to use as hot, cold, or frozen, shall have drains, fully insulated, recessed 1" for serving, interior pans shall be 3-4 stainless steel, with coved corners. The switches and controls are to be fully accessible and LED controls. All wells are wired to a circuit breaker for current overload protection and on/off breaker switch on the counter.

All equipment shall be listed by Underwriter's Sanitation Inc. and U.L. Sanitation Inc. and shall bear each symbol.

New serving line will be delivered to the school site after confirming a date with Child Nutrition for this to be convenient, set in place, and set up ready for installation. Awarded dealer will also be required to remove all packaging debris from the school site. Awarded dealer is to be responsible for confirmation of all utility requirements confirmed through the School's Maintenance department.

Quick/Switch counters will include from the manufacturer a NEMA female plug that will match the NEMA male plug furnished on the table.

All counters to be 32" A.F.F., with the exception of the Cashier's Table, Item #5 to be 34" above finished floor with tray slides mounted at 30" A.F.F.

All counters to be provided with 10" wide, raised "v" construction, fold down stainless-steel tray slides - dual service.

NO DROP SHIPMENT DELIVERIES WILL BE APPROVED

NOTE: All materials, equipment and installation shall be in compliance with the State Building Code, OSHA, Department of Insurance requirements and all Federal, State and local codes/laws that are applicable. Installation shall be in compliance with the manufacturer's recommendations. Any conflicts between the attached specifications and the State Building Code shall be resolved in favor of the code.

FIRM COSTS

The set-in place and set up ready for installation firm cost for each bid item is the manufacturer's cost, **plus freight**, to the Dealer and shall also encompass all costs. **PRICES ARE ALL INCLUSIVE – Language for Unknown Costs Will Not Be Accepted.**

DEALER CHANGES TO PRE-APPROVED MANUFACTURER BRAND/CODE

All product brands and codes listed on the bid sheets are pre-approved and no products may be added to the bid spreadsheets without prior approval of the NCPA Board of Directors, with appropriate addenda released to eligible Dealers.

QUALIFICATIONS

- THE VENDOR shall be licensed and approved to do business in the State of North Carolina.
- Insurance requirements referenced within as well as any Federal, State and Local requirements shall be required and maintained.
- Vendor will provide sufficient qualified personnel to carry out the project in a timely fashion.
- Vendor may be requested to demonstrate experience in performing similar projects.
- Vendor will be disqualified for consideration if they are listed on either the State of North Carolina debarred vendor registry, or the Federal Government debarred vendor registry.
- (Federal Government) <https://www.sam.gov/SAM/pages/public/searchRecords/searchResults.jsf>
- (State of North Carolina) <https://ncadmin.nc.gov/documents/nc-debarred-vendors>

Product shall be delivered, set-in-place and set up ready FOB Destination to following location:

Wake County Public Schools
Baucom Elementary School
400 Hunter Street
Apex, NC 27502

Successful Vendor shall complete delivery within thirty (30) consecutive calendar days after receipt of purchase order.

For completion by Vendor: Delivery will be made from _____ (city, state) within _____ consecutive calendar days after receipt of purchase order. Promptness of delivery may be used as a factor in the award.

SPECIAL CONDITIONS

DELIVERIES

- All shipments require 24-hour notice prior to delivery.**
- Dock times can be arranged by contacting: The CNS Warehouse Supervisor (919) 588-3542, CNS Warehouse Team Leader (919) 588-3543 or CNS Processing Technician (919) 588-3541. Deliveries without an appointment may be refused.**
- Each shipment must include a packing list and waybill or delivery ticket.**

In the event of inclement weather, forcing the cancellation of schools on the delivery day, the delivery will be made on an alternate day agreed upon by the Child Nutrition Director and /or the WCPSS CNS designee. The vendor must immediately notify the Child Nutrition Director and/or the WCPSS CNS designee by telephone and/or email, if any delay

occurs. The CNS Director or designee will have the option to cancel the order if they are unable to accept the delay. At the discretion of WCPSS CNS, items received after the due date, for which the WCPSS has not been notified regarding the delay, may be returned at the vendor's expense with no penalty to WCPSS CNS.

Repeated failure to meet delivery dates will constitute a breach of contract by the vendor and may result in the initiation of actions covered in section #32 of this General Terms and Conditions document entitled "Remedies for Non-Performance of Contract, and Contract Termination" and the associated financial impacts attached thereto, as well as jeopardize any future business from the WCPSS.

All freight, delivery, and handling charges are the responsibility of the bidder, and all bid prices must be quoted freight prepaid, F.O.B. destination, and shall include all freight, delivery, and handling charges, including unloading and inside deliveries where required. The bid package includes a summary listing of the participating schools of the WCPSS, the quantities (if this is a line-item bid), and the number of delivery locations at the time this IFB was mailed.

Cartons must be marked as indicated on the Purchase Order. Each shipment must include a packing list and waybill or delivery ticket.

If the vendor is delivering products out of more than one warehouse or distribution center, all warehouses or distribution centers involved in the distribution plan MUST carry, or have timely access to, all awarded items and MUST be able to respond to orders in a timely manner. Unless otherwise specified in this IFB, product substitutions are not allowed, and the involvement of multiple distribution centers will not be construed to alter the restrictions against product substitutions. In the event the vendor uses multiple distribution centers, the WCPSS Child Nutrition Services will have ONE CONTACT PERSON for overall contract management relative to any contract resulting from any award under this IFB, and the WCPSS WILL NOT be required to deal with multiple vendor contracts for overall contract management.

Except for items that have hidden defects or that do not meet specification, title to all products shall pass to the WCPSS upon receipt and acceptance at the time of delivery.

DELIVERY TICKETS, INVOICING, & DISTRIBUTOR PAYMENT(S)

Two (2) delivery tickets shall be provided to the school or warehouse receiver at the time of delivery. Delivery tickets shall contain the purchase order number, Distributor name, name and address of the delivery location, item description, item number, quantity, case price, and extended total. Delivery tickets not signed by authorized personnel (receivers) will not be paid.

Payment will be due to the Distributor awarded the Contract within forty-five (45) days of date of the statement, or more frequently, as designated by the School District.

RECALLS

The Distributor shall be required to notify the School District's Child Nutrition Services Senior Director or his/her designee of any manufacturer's recalls regarding items delivered within 24 hours.

Applicable School District Policies

The distributor acknowledges that the School District has adopted policies governing conduct on all property owned by the School District and agrees to abide by any and all relevant board policies while on its property. Distributor acknowledges that these policies are available online on the School District's website. In particular, Distributor acknowledges that it has received copies of or has access to (via School District's website) and will abide by all applicable School District policies, including, but not limited to policies related to conduct on school property, weapons, drugs and alcohol, tobacco, and interactions with staff and students.

Severability

If any provision of this Contract shall be declared invalid or unenforceable, the remainder of the Contract shall continue in full force and effect.

AWARD CRITERIA

As provided by statute, award will be based on the most responsive/responsible low bid meeting the requirements specified in the "REQUIREMENTS" section below which includes criteria considered to be in the best interest of the district.

AWARD OF CONTRACT

It is the general intent to award this contract to a single overall bidder. The right is reserved, however, to make awards to multiple bidders, if such shall be considered by Wake County Public School System to be most advantageous or to constitute its best interest. Bidders should show unit prices but are requested also to offer a total price per item.

The successful bidder(s) will be notified by "Notice(s) of Award" issued by the WCPSS Purchasing Department.

Bid audits may be conducted as a means of determining and/or verifying the cost quoted by the Vendor.

SOURCE SELECTION

WCPSS will review all information submitted in order for WCPSS to award the contract to the bidder providing the most responsive/responsible low bid.

The evaluation committee may request clarifications, an interview with or presentation from any or all bidders. However, the WCPSS may refuse to accept, in full or partially, the response to a clarification request given by any bidder. Bidders are cautioned that the evaluators are not required to request clarifications; therefore, all offers should be complete and reflect the most favorable terms.

Evaluation Process Explanation. WCPSS employees will evaluate all proposals. All proposals will be initially classified as being responsive or non-responsive. If a proposal is found non-responsive, it will not be considered further. All responsive proposals will be evaluated based on stated evaluation criteria, as provided with this IFB. Any references in an answer to another location in the IFB materials or Proposal shall have specific page numbers and sections stated in the reference.

To be eligible for consideration, a bidder must meet the intent of all requirements. Compliance with the intent of all requirements will be determined by WCPSS. Responses that do not meet the full intent of all requirements listed in this IFB may be subject to point reductions during the evaluation process or may be deemed non-responsive. Further, a serious deficiency in the response to any one factor may be grounds for rejection.

Bidders are advised that WCPSS is not obligated to ask for or accept after the closing date.

Bidder may be disqualified from any evaluation or award if bidder or any key personnel proposed, has previously failed to perform satisfactorily during the performance of any contract with WCPSS, or violated rules or statutes applicable to public bidding in the State of North Carolina, as documented. Vendors must not be debarred from doing business with the State of North Carolina or Federal Government.

CONFIDENTIALITY AND PROHIBITED COMMUNICATIONS DURING EVALUATION

During the evaluation period—from the date bids are opened through the date the contract is awarded—each Vendor submitting a bid (including its representatives, sub-contractors and/or suppliers) is prohibited from having any communications with any person inside or outside of WCPSS, other government agency office, WCPSS body or private entity, if the communication refers to the content of Vendor's bid or qualifications, the contents of another Vendor's bid, another Vendor's qualifications or ability to perform the contract, and/or the transmittal of any other communication of information that could be reasonably considered to have the effect of directly or indirectly influencing the evaluation of bids and/or the award of the contract. A Vendor not in compliance with this provision shall be disqualified from contract award, unless it is determined in WCPSS' discretion that the communication was harmless, that it was made without intent to influence and that the best interest of WCPSS would not be served by the disqualification. A Vendor's bid may be disqualified if its sub-contractor and supplier engage in any of the foregoing communications during the time that the procurement is active (i.e., the issuance date of the procurement to the date of contract award). Please contact bids-crogers7@wcpss.net.

VENDORS ARE CAUTIONED THAT ALL RESPONSES MUST BE ORGANIZED, IDENTIFIABLE AND READILY ACCESSIBLE. A TEMPLATE IS PROVIDED FOR USE BUT ANY ADDITIONAL INFORMATION SHOULD REFLECT IDENTIFIABLE LANGUAGE AND BE ACCESSIBLE AND ORGANIZED.
--

NON-PREFERENCE

It is the intent of WCPSS to procure products in the stated quantity, quality, and size as described in this request while adhering to general statutes specific to public schools and WCPSS Board of Education policy. The manufacture, brand name and model numbers are used to provide respondents specific information on the quality and usefulness of the product that is being requested. These references are not intended to restrict comparable products. Other manufacturers and brands will be considered if they meet or exceed the minimum standards of the product referenced. See below for accompanying literature that is required when submitting your bid.

DESCRIPTIVE LITERATURE/CERTIFICATION

Each bid shall be accompanied by complete descriptive literature, specifications, certifications, and all other pertinent data necessary for thorough evaluation of the item(s) bid and sufficient to determine compliance of the item(s) with the specifications.

BID EVALUATION

Bids are requested on the items and/or equipment as hereinafter specified or like items similar in design, function, and performance. Wake County Public School System reserves the right to reject any bid on the basis of function, compatibility with user requirements of utility as well as costs. Bidder(s) are cautioned that any/all information furnished or not furnished on this bid may be used as a factor in determining the award of this contract.

SUBSTITUTIONS

The WCPSS will not accept any substitutes after items(s) have been awarded as specified, unless such substitutions are deemed to be in the best interest of the WCPSS Child Nutrition Services, and unless prior agreements have been reached and reduced to writing regarding such substitutions. Substitutions need to have the same nutritional contents of the awarded items. Substituting without the prior approval by the WCPSS designee will constitute a breach of contract by the vendor which may result in the initiation of actions covered in section #32 of this General Terms and Conditions document entitled "Remedies for Non-Performance of Contract, and Contract Termination" and the associated financial impacts attached thereto and may jeopardize any future business from the WCPSS.

Substitutions will not be accepted or considered without at least a 48-hour notice prior to delivery.

CHARGES FOR INCONVENIENCE

After acceptance, the successful vendor will be liable for any expenses, including attorney fees, incurred as a result of violations or attempts to enforce this contract.

If the vendor is unable to deliver an approved product, the respective Wake County Public Schools Child Nutrition Services office shall purchase a product of equal or greater quality from another source. The difference between price paid and contract price will be charged to the contracted vendor.

COMPLIANCE WITH CLEAN AIR AND WATER ACT

By signing this bid, the bidder certifies that the vendor is in compliance with all applicable standards, orders, or regulations issued pursuant to the Clean Air Act of 1970, as amended (42 U.S.C. 1857(h)), Section 508 of the Clean Water Act, as amended (33 U.S.C. 1368), Executive Order 117389 and Environmental Protection Agency Regulation, 40 CFR Part 15 as required under OMB Circular A-102, Attachment O, Paragraph 14(l) regarding reporting violations to the grantor agency and to the United States Environment Protection Agency Assistant Administrator of the Enforcement.

COMPLIANCE WITH ENERGY POLICY AND CONSERVATION ACT

By signing this bid, the bidder certifies that the vendor is in compliance with all applicable standards, orders, regulations, and policies related to energy efficiency which are contained in the State energy conservation plan issued in compliance with the Energy Policy and Conversation Act (Pub. L 94-163, 89 Stat. 871). [53 FR 8044, 8087, Mar. 11, 1988, as amended at 60 FR 19639, 19641, Apr. 19, 1995]

DEBARMENT, SUSPENSION AND OTHER RESPONSIBILITY MATTERS

As requested by Executive Order 12549, Debarment and Suspension, and implemented at 15 CFR Part 26, for prospective participants in primary covered transactions, as defined in 15 CFR Part 26, Sections 26.105 and 26.110-1) the prospective primary participant certifies to the best of its knowledge and belief, that is and its principles: are not presently debarred, suspended, proposed for debarment, declared ineligible, or voluntarily excluded from covered transactions by a Federal department or agency.

have not, within a three-year period preceding this bid, been convicted of or had a judgment rendered against them for commission of fraud or a criminal offense in connection with obtaining, attempting to obtain, or performing a public (Federal, State, or local) transaction or contract under public transaction; violation of Federal or State antitrust statutes or commission of embezzlement, theft, forgery, bribery, falsification or destruction of records, making false statements, or receiving stolen property:

are not presently indicted for or otherwise criminally or civilly charged by a governmental entity (Federal, State, or local) with commission of any of the offenses enumerated in paragraph (1) (b) of this certification; and

have not, within a three-year period preceding this application/bid, had one or more public transactions (Federal, State, or local) terminated for cause or default.

By signing this bid, the bidder certifies that the vendor is in compliance with Federal, State, and local guidelines. Where the prospective primary participant is unable to certify to any of the statements in this certification, such prospective participant shall attach an explanation to this bid. DEBARMENT, SUSPENSION and OTHER RESPONSIBLITY MATTERS compliance is addressed in FORM F.

DEVIATIONS

Any deviations from specifications and requirements herein must be clearly pointed out by bidder. Otherwise, it will be considered that the product offered is in strict compliance with these specifications and requirements, and the successful bidder will be held responsible, therefore. Deviations must be explained in detail below or on an attached sheet. However, no implication is made by Wake County Public School System that deviations will be acceptable. Bidder is advised that the response (or lack thereof) to this question does not take precedence over specific responses or non-responses provided elsewhere in this bid.

Deviations from Item Specification or General Terms and Conditions

Any and all limitations, expectations, qualifications, special conditions, or deviations from these General Terms and Conditions or any of the item specifications, including the offering of any alternate to the "approved brand and/or model" (where identified) must be clearly noted in detail by the bidder at the time of submission of the bid. The absence of such limitations, exceptions, qualifications, special conditions, or deviations being submitted in writing with the bidder's response will hold the bidder accountable to the WCPSS to perform in strict accordance with all these General Terms and Conditions and all the item specifications as written, including any such limitations, exceptions, qualifications, special conditions, or deviations with the bid response may place the bidder at a competitive disadvantage or otherwise prevent the WCPSS from considering to bid on the affected items(s).

Any deviation from any of the item specifications, including the delivery of any product other than the specific brand and model of the product awarded, will be grounds for rejection of the product(s) when delivered, and will expose the vendor to the remedies identified in section #32 of this General Terms and Conditions document entitled "Remedies for Non-Performance of Contract, and Contract Termination" and may jeopardize future business from the WCPSS. DEVIATION compliance is addressed in FORM H.

FIRM BID

Prices and any other entry made hereon by the potential vendor shall be considered firm and not subject to change or withdrawal. No exceptions.

WITHDRAWAL OR MODIFICATION OF BID

Subject to the restrictions discussed below, the WCPSS will consider a WRITTEN request from any bidder that the bidder be allowed to withdraw any bid submitted, but ONLY IN ITS ENTIRETY, and ONLY UNTIL THE DUE DATE AND TIME FOR BID SUBMISSION as stated in the Bid Certification included with this IFB. A representative of the bidding entity who is authorized to enter into contracts on behalf of the bidding entity must manually sign any request for the withdrawal of any bid in ink, and the person signing the request must indicate his/her title along with his/her signature. No bid may be withdrawn after the date and time that bids are due as specified in the Bid Certification. Only bids that have been submitted consistent with the instructions relating to packaging and labeling of the bid will be considered for withdrawal.

If there is any question in the mind of the management of the WCPSS regarding the identity of the bid or the identity of the bidder relation to any request for the withdrawal of any bid, the WCPSS will refuse to allow the withdrawal of the bid. Withdrawal of any bid allowed by the WCPSS will require the completion and signature of a written receipt by the bidder's representative satisfactory to the WCPSS Administrator before the bid will be released. The decision of the WCPSS Administrator in relation to any matters concerning bid withdrawal will be final.

If a bidder requests to withdraw a bid and the WCPSS allows the withdrawal of the bid, the bidder may resubmit the bid, or submit a new bid, up until the due date and time for bid submission as stated in the Bid Certification included with this IFB, provided any new submission meets all the qualifications of bid submission included in these General Terms and Conditions.

If a bidder resubmits a bid that was withdrawn and makes changes to any document in the bid package, an authorized agent of the bidder must initial all alterations made to any bid document.

All bids in possession of the WCPSS at the time bids are due shall be deemed final, conclusive, and irrevocable, and no bid shall be subject to withdrawal, amendment, or correction after the due date and time for bid submission as stated in the Bid Certification included with this IFB.

PRICING

All "line item" bids must be for a specific price for the unit of measure specified for that item. The offeror is responsible for clearly noting any differences in proposed packaging and/or units of measure in the bid response, and the offeror shall understand that if the item in question is awarded by the offeror, the quantity specified for that item will be adjusted to achieve an approximate equivalent amount of the product.

Allowable costs will be paid from the nonprofit school food service account to the offeror/contractor net of all discounts, rebates and other applicable credits accruing to or received by the contractor or any assignee under the contract, to the extent those credits are allocable to the allowable portion of the costs billed to the SFA. The offeror/contractor agrees to fully disclose all discounts, rebates, allowances, and incentives received by the Company from its suppliers. If the offeror/contractor receives a discount, rebate, allowance, or incentive from any supplier, the offeror/contractor must disclose and return to the Wake County Public School System District the full amount of the discount, rebate, or applicable credit that is received based on the purchases made on behalf of the Wake County Public School System District. All discounts, rebates, allowances, and incentives must be returned to the Wake County Public School System District during a mutually agreed upon timeframe that is beneficial to the School District.

“Cost Plus” bids will not be accepted unless otherwise requested in this IFB.

Bid Prices must be firm for acceptance throughout the term of the contract, unless otherwise specified in this IFB or in the bidder’s response.

If during the term of the contract, a successful bidder’s net prices to any or all of its other customers in similar market circumstances for any of the same items awarded under this IFB are reduced below the contracted price, it is understood and agreed that the benefits of such price reduction shall be extended to all participants of the WCPSS.

VALUE ADDED

Value added options and services including, but not limited to, product merchandisers and other purchasing incentives will not be considered as a factor in evaluating the award of this Bid.

MAKE AND MODEL

Manufacturer’s name and model/catalog numbers used are for the purpose of identification and to establish general quality level desired. Such references are not intended to be restrictive and comparable products of other manufacturers will be considered. However, bidders are cautioned that any deviation from specifications must be pointed out in their bid.

SUITABILITY FOR INTENDED USE

Bidders are requested to offer only comparable equipment which will provide the equivalent capabilities, features, and diversity called for herein. Wake County Public School System reserves the right to evaluate all bids for suitability for the required use and to award the one best meeting requirements and thought to be in the Wake County Public School System’s best interest.

WARRANTY

Vendor warrants to WCPSS that any and all equipment/goods under the specifications requested will be new, of good material and workmanship and agrees to replace promptly any item that does not meet the quality specifications and operational standards set forth by WCPSS requirements, which by reason of defective material or workmanship shall fail under normal use, free of negligence or accident, for a minimum period of twelve (12) months from date put in operation. Such replacement shall include all parts, labor, and transportation cost to the location where item(s) are located and free of any charge to the owner or his representative.

Vendor shall include all warranty information with submittal of bid. Warranty information is subject to consideration for award of bid. By submission of a bid, the bidder warrants that the bidder is an authorized dealer, vendor, or manufacturer for the product(s) being offered, that all items bid conform to the specifications for which the items are being offered, and that all items supplied under any contract related to this IFB will be free from all defects in material, workmanship, and title.

EQUAL EMPLOYMENT OPPORTUNITY (EEO) DISCLOSURES

By submission of a bid, the bidder agrees that in the performance of any contract resulting from any award under this bid, the bidding entity will comply with all applicable equal employment opportunity laws and regulations, including, but not limited to, an agreement not to deny any benefit to, exclude from any opportunity, or discriminate in any way against, any applicant, employee, or any other person because of age, color, creed, gender, handicapping condition, marital status, national origin, political affiliation or belief, race, religion, or veteran status.

The Bidder shall comply with Executive Order 11246, entitled Equal Employment Opportunity, as amended by Executive Order 11375 of October 13, 1967, and as supplemented in Department of Labor regulations, 41 CFR Part 60.

The occurrence of any prohibited discrimination will constitute vendor's breach of contract due to a substantial failure by the vendor to fulfill its obligations, whereupon the WCPSS may terminate the vendor's contract for cause as provided by section #32 of this General Terms and Conditions document entitled "Remedies for Non-Performance of Contract, and Contract Termination."

FORCE MAJEURE

The term Force Majeure shall include, but is not limited to, governmental restraints or decrees, provided they affect all companies in the vendor's industry equally and are not actions taken solely against the vendor; acts of God (except natural phenomena, such as rain, wind or flood, which are normally expected in the locale in which performance is to take place); work stoppages due to labor disputes or strikes; fires; explosions; epidemics; riots; war; rebellion; or sabotage.

The parties to this contract will be required to use due caution and preventative measures to protect against the effects of Force Majeure, and the burden of proving that Force Majeure has occurred shall rest on the party seeking relief under this section. The party seeking relief due to Force Majeure will be required to promptly notify the other party in writing, citing the details of the Force Majeure event, and will be required to use due diligence to overcome obstacles to performance created by the Force Majeure event, and shall resume performance immediately after the obstacles have been removed, provided the contract has not been terminated in the interim.

Delay or failure of performance, by either party to this contract, caused solely by the Force Majeure event shall be executed for the period of delay caused solely by the Force Majeure event, provided the affected party has promptly notified the other party in writing. Neither party shall have any claim for damages against the other resulting from delays caused solely by Force Majeure.

WCPSS will be responsible for any costs incurred by the vendor because of the Force Majeure event unless the WCPSS has requested, in writing, that the vendor incur such costs in connection with any delay or work stoppage caused by the Force Majeure event, and the WCPSS has agreed in such writing to incur such additional costs.

Notwithstanding any other provision of this section, in the event the vendor's performance of its obligations under this contract is delayed or stopped by a Force Majeure event, the WCPSS shall have the option to terminate this contract in accordance with section #32 of this General Terms and Conditions document entitled "Remedies for Non-Performance of Contract, and Contract Termination." Furthermore, this section shall not be interpreted as to limit or otherwise modify any of the WCPSS's rights as provided elsewhere in this contract.

RECORDS RETENTION

By signing this bid, the bidder understands that the WCPSS, the Comptroller General of the United States, or any of their duly authorized representatives, shall have access to any books, documents, papers, and records of the contractor which are directly pertinent to the specific contract, for the purpose of audits, examinations, excerpts, and transcriptions.

The bidder is required to retain pertinent records for five (5) years plus the current school year after the WCPSS make final payments and all other pending matters are closed.

REMEDIES FOR NON-PERFORMANCE OF CONTRACT, AND TERMINATION OF CONTRACT

If the vendor cannot comply with the terms and conditions in fulfilling its contract as anticipated, the vendor must supply the same products or services contracted from other sources at the contract price.

The vendor's delay in the above will constitute the vendor's material breach of contract, whereupon the WCPSS may terminate the vendor's contract for cause as provided by the remainder of this section.

Unless this contract is extended by mutual agreement of the parties beyond the expiration of the contract time period as stated on the Bid Certification sheet, this contract shall terminate upon the expiration of the contract term as stated on the Bid Certification sheet.

If any delay or failure of performance is caused by a Force Majeure event as described above in the General Terms and Conditions entitled "Force Majeure," the WCPSS may, in its sole discretion, terminate this contract in whole or part, provided such termination follows the remaining requirements of this section.

Except as otherwise provided for within the General Terms and Conditions of this document, this contract may be terminated in whole or in part by either party in the event of substantial failure by the other party to fulfill its obligations under this contract through no fault of the terminating party; provided that no such termination may be implemented unless and until the other party is given (1) at least ten (10) days written notice (delivered by certified mail, return receipt requested) of intent to terminate, and (2) an opportunity for consultation with the terminating party, followed by a reasonable opportunity, of not more than ten (10) working days, to rectify the defects in products or performance, prior to termination.

Valid causes for termination of this contract will include, but are not limited to:

- a) the vendor's failure to adhere to any of the provisions of the General Terms and Conditions of this IFB,
- b) the vendor delivering any product(s) that fails to meet the Item Specifications included in this IFB relating to the awarded product(s)
- c) the vendor delivering any substitution(s) of product(s) different than those originally bid and awarded without the prior written approval of the WCPSS placing the order,
- d) the vendor's failure to meet the required delivery schedules as identified in the contract documents, or
- e) the vendor's violation of any other provision contained within these General Terms and Conditions or any attachment thereto which provides for contract termination as a remedy
- f) the vendors are not permitted to contact managers or staff at school level about items that can be ordered or should be ordered. Bids are awarded through the main office only. All purchases and purchase orders are processed and distributed through the central Child Nutrition Business office only.

Notwithstanding anything contained in this section, in the event of the vendor's breach of any provision in this contract, the WCPSS reserves the right to enforce the performance of this contract in any manner prescribed by law or deemed to be in the best interest of the Wake County Public Schools, including, but not limited to, the purchase of other products of like type and quality from other sources in the open market. In the event the WCPSS elects to purchase other products from other sources, the WCPSS will invoice the vendor for any increased costs to the WCPSS, and the vendor agrees, by submission of a bid response, to promptly pay any such charges invoiced.

In the event the WCPSS terminates this contract, in whole or in part, for any reason provided for within the contract, the WCPSS reserves the right to award the cancelled contract, or any portion thereof, to the next lowest or best bidder as it deems such award to be in the best interest of the Wake County Public Schools.

Any contract termination resulting from any cause other than a Force Majeure event will be deemed a valid reason for not considering any future bid from the defaulting vendor.

In the performance of this contract, time is of the essence and these General Terms and Conditions are of the essence.

RIGHT TO ASSURANCE

Whenever one party to this contract in good faith has reason to question the other party's intent to perform, he may demand that the other party give a written assurance of his intent to perform. In the event that a demand is made, and no assurance is given within five (5) days, the demanding party may treat this failure as an anticipatory repudiation of the contract.

SUB-CONTRACTING SERVICES

The transfer, assignment, or subcontracting of contracts is **prohibited**, and the bidder agrees not to sell, assign, transfer, convey, or subcontract any portion of this contract resulting from this IFB without the prior written consent of WCPSS.

ASSIGNMENT – DELEGATION

No responsibility or obligation created by this contract shall be assigned or delegated by the vendor without written permission from the WCPSS. Any attempted assignment or delegation by the vendor shall be wholly void and totally ineffective for all purposes unless made in conformity with this paragraph.

CATALOGS

For "discount from catalog" bids or other bids based on industry or other "benchmark" pricing lists or tables, it will be the responsibility of the successful bidder(s) to provide the WCPSS with a complete, updated catalog and/or price list for all items awarded within five (5) working days of receipt of a Notification of Award. Subsequent additions, deletions, or changes in product specifications may be submitted to the WCPSS when they become available.

CONTRACT AND PURCHASE ORDERS

A response to IFB is an offer to contract with the WCPSS based upon the Item Specifications and the General Terms and Conditions contained in the IFB. ***Bids do not become contracts unless and until they are both accepted by the WCPSS through an Award Notice to the bidder and put into effect by the issuance of a Purchase Order(s) signed by an authorized representative of the WCPSS or its designee. Bidders acting upon the opening of an apparent low bid alone do so at their own risk.***

This contract shall collectively include (1) the General Terms and Conditions and the Item Specifications included in the IFB and any subsequent addenda thereto, (2) the bidder's signed Bid Certification sheet and any subsequent addenda thereto, (3) the bidder's entire response to the IFB, (4) the bidder's Notice of Award document, (5) and any additional terms, conditions, or instructions contained in each individual Purchase Order. All the binding agreements should be submitted as part of the bid packet. The contract shall be interpreted by and governed under the laws of the State of North Carolina

TAXES

Wake County Public School System is NOT tax-exempt. Unless otherwise indicated, tax must be computed and added to your bid. Any itemized shipping charges are also subject to tax.

ETHICS AND THE PURCHASING FUNCTION Policy Code: 6401/9100

The Wake County Board of Education is committed to conducting the purchasing function in an ethical manner and in compliance with state and federal laws and regulations. The Board expects all employees who are directly or indirectly involved in any aspect of the purchasing function to be aware of and comply with all current state and federal laws and regulations as these standards apply to the school system's purchasing activities. The Board's purchasing goals and principles will not be compromised by individuals motivated by personal gain.

Employees directly or indirectly involved in any aspect of the school system's procurement, purchasing, and/or contracting process for apparatus, materials, equipment, supplies, services, real property, or construction or repair projects, regardless of source of funds, must adhere to the following standards of conduct and those established in any policies regarding employee conflict of interest and 8305: Federal Grant Administration.

1. Employees are expected to make all purchasing-related decisions in a neutral and objective way based on what is in the best interest of the school system and not in consideration of actual or potential personal benefit.

2. Employees shall not participate, directly or indirectly, in making or administering any contract from which they will obtain a direct benefit, unless an exception is allowed pursuant to law.

An employee obtains a direct benefit when the employee or his or her spouse will receive income, commission, or property under the contract, or the employee or spouse has more than a 10 percent interest in an entity that is a party to the contract. See G.S. 14-234 and any policies regarding employee conflict of interest.

Participation in making or administering a contract includes, but is not limited to, participating in the development of specifications or contract terms; obtaining or reviewing bids; preparation or award of the contract; and having the authority to make decisions about, interpret, or oversee the contract.

3. Employees shall not participate, directly or indirectly, in the selection, award, or administration of a contract supported in whole or part by a federal grant or award if the employee has a real or apparent conflict of interest. See 2 C.F.R. 200.318 and policy 8305: Federal Grant Administration.

A real or apparent conflict exists when the employee, his or her immediate family member or partner, or an organization which employs or is about to employ any of those individuals, has a financial or other interest in or receives a tangible personal benefit from a firm considered for a contract. For purposes of this subsection, a "financial interest" means a financial interest which comprises more than five percent of the equity of the firm or business or more than five percent of the assets of the economic interest in indebtedness. It does not include an ownership interest held through a fiduciary, such as *Policy Code: 6401/9100* a mutual fund or blind trust, where the individual or individual's employer has no control over the selection of holdings.

4. Employees shall not influence or attempt to influence any person involved in making or administering a contract from which the employee will obtain a direct benefit as described in paragraph 2, above.

5. Employees shall not solicit or receive any gift, favor, reward, service, or promise of reward, including a promise of future employment, in exchange for recommending, influencing, or attempting to influence the award of a contract by the school system.

6. Employees shall notify the superintendent or designee in writing if they have an actual or potential conflict of interest under this policy or applicable state or federal law that would disqualify them from performing any aspect of their job responsibilities.

7. Employees shall not solicit or accept trips, meals, gratuities, gifts, favors, or anything of monetary value from current or recent (within the past year) contractors, subcontractors, or suppliers, or any persons or entities that foreseeably may bid on a contract in the future, unless the item is an unsolicited gift of nominal value (\$50 or less), and is one of the following: an advertising item or souvenir that is widely distributed; an honorarium for participating in a meeting; a meal provided at a banquet; or other item that is clearly permitted by state and federal law. Multiple permitted items from a single contractor may not exceed an aggregate value of \$100 in a twelve-month period.

Employees shall inform existing and potential contractors, subcontractors, and suppliers about these restrictions.

8. Employees shall not solicit or accept any gift from a current or potential provider of E-rate services or products in violation of applicable federal E-rate program gifting rules.

9. Employees shall not divulge confidential information to any unauthorized person. Confidential information includes but is not limited to (1) the school system's cost estimate for any public contract, prior to bidding or completion of other competitive purchasing processes; and (2) the identity of contractors who have obtained proposals for bid purposes for a public contract, until the bids are opened in public and recorded in the Board minutes.

10. An employee shall not misuse information in violation of G.S. 14-234.1. Specifically, an employee shall not, in contemplation of the employee's own official action or that of the Board or others acting on behalf of the school system, or in reliance on information known to the employee in his or her official capacity and not made public, to: a. acquire a financial interest in any property, transaction, or enterprise; b. gain a financial benefit that may be affected by the information or contemplated action; or c. intentionally aid another to

acquire a financial interest or gain a financial benefit from the information or contemplated action.

The superintendent or designee shall ensure that all affected personnel are aware of Board policy requirements and applicable laws. Any individual aware of any violation of this policy, policy 2121: Board Member Conflict of Interest, any policies regarding employee conflict of interest, the conflict-of-interest provisions of policy 8305: Federal Grant Administration, or applicable conflict of interest laws shall report such violation in accordance with policy 1760/7280: Prohibition Against Retaliation. Employees who violate this policy, policy 2121, any policies regarding employee conflict of interest, or the conflict-of-interest provisions of policy 8305, will be subject to disciplinary action.

Legal References: 2 C.F.R. 200.318(c); 47 C.F.R. 54.503; FCC Sixth Report and Order 10-175; G.S. 14-234, -234.1; 133-32, -33; Attorney General Opinion requested by L.W. Lamar regarding G.S. 133-32, the Applicability to Attorneys and Law Firms Providing Professional Services to Local Boards of Education, dated May 13, 1993.

Adopted: April 5, 2022

Gift Prohibition. Provider acknowledges that it is subject to N.C.G.S. §§ 14-234 and 133-32, which prohibit contractors from providing items of value to school system officials and employees under various circumstances. N.C.G.S. § 14-234, in pertinent part, prohibits contractors from providing to specific school system officers/employees a gift, favor, reward, service, or promise of reward in exchange for recommending influencing or attempting to influence the award of a contract. N.C.G.S. § 133-32, in pertinent part, bars provision of gifts or favors to specific school system officers/employees by a contractor who has a contract, has performed under a contract in the last year, or anticipates bidding on a contract in the future. Provider covenants that no director, employee or agent of Provider, or any other person connected with Provider, has made, offered or given, either directly or indirectly, to any School System Board member, employee, or agent, or to any person connected with the School System, any gift, favor, or item of value in violation of either N.C.G.S. §§ 14-234 or 133-32. Provider agrees that a breach of this provision as identified by the school system may result in the School System's termination of this Contract without liability and/or at the School System's discretion, the recovery of any and all funds paid to Provider pursuant to this Contract. Provider further agrees that to the extent there exists any doubt as to whether its actions have violated, or could violate, this provision, Provider will promptly notify the school system so it can make a determination as to the propriety of the Provider's past or proposed future conduct.

TERMS AND CONDITIONS

1. **READ, REVIEW AND COMPLY:** It shall be the bidder's responsibility to read this entire document, review all enclosures and attachments, and comply with all requirements specified herein.
2. **NOTICE TO BIDDERS:** All bids are subject to the provisions of special terms and conditions specific to this Invitation for Bids, the specifications. Wake County Public School System (WCPSS) objects to and will not evaluate or consider any additional terms and conditions submitted with a bidder response. This applies to any language appearing in or attached to the document as part of the bidder's response. **DO NOT ATTACH ANY ADDITIONAL TERMS AND CONDITIONS.**
By execution and delivery of this document, the bidder agrees that any additional terms and conditions, whether submitted purposely or inadvertently, shall have no force or effect.
3. **DEFINITIONS:**
 - **BIDDER:** Company, firm, corporation, partnership, individual, etc., submitting a response to an Invitation for Bids.
 - **TERM CONTRACT:** A contract generally intended to cover all normal requirements for a commodity for a specified period of time based on estimated quantities only.
 - **OPEN MARKET CONTRACT:** A contract for the purchase of a commodity not covered by a term contract.
4. **EXECUTION:** Failure to sign under EXECUTION section will render bid invalid.
5. **ORDER OF PRECEDENCE:** In cases of conflict between specific provisions in this bid, the order of precedence shall be (1) special terms and conditions specific to this bid, (2) specifications, and (3) Instructions to Bidders.
6. **TIME FOR CONSIDERATION:** Unless otherwise indicated on the first page of this document, bidder's offer shall be valid for 45 days from the date of bid opening. Preference may be given to bids allowing not less than 45 days for consideration and acceptance.
7. **SPECIFICATIONS:** Any deviation from specifications indicated herein must be clearly pointed out; otherwise, it will be considered that items offered are in strict compliance with these specifications, and bidder will be held responsible, therefore. Deviations shall be explained in detail. **The bidder shall not construe this paragraph as inviting deviation or implying that any deviation will be acceptable.**
8. **INFORMATION AND DESCRIPTIVE LITERATURE:** Bidder is to furnish all information requested and, in the spaces, provided in this document. Further, if required elsewhere in this bid, each bidder must submit with their bid sketches, descriptive literature and/or complete specifications covering the products offered. Reference to literature submitted with a previous bid will not satisfy this provision. Bids which do not comply with these requirements will be subject to rejection.
9. **RECYCLING AND SOURCE REDUCTION:** It is the policy of WCPSS to encourage and promote the purchase of products with recycled content to the extent economically practicable, and to purchase items which are reusable, refillable, repairable, more durable, and less toxic to the extent that the purchase or use is practicable and cost-effective.
We also encourage and promote using minimal packaging and the use of recycled/recyclable products in the packaging of commodities purchased. However, no sacrifice in quality of packaging will be acceptable. The company remains responsible for providing packaging that will protect the commodity and contain it for its intended use.
Companies are strongly urged to bring to the attention of WCPSS which issued the solicitation document, those products or packaging they offer which have recycled content and that are recyclable.
10. **CLARIFICATIONS/INTERPRETATIONS:** Any and all questions regarding this document must be addressed to the purchaser named on the cover sheet of this document. Do not contact the school or department directly. Any and all revisions to this document shall be made only by written addendum from WCPSS Purchasing Department. The bidder is cautioned that the requirements of this bid can be altered only by written addendum and that verbal communications from whatever source are of no effect.
11. **ACCEPTANCE AND REJECTION:** WCPSS reserves the right to reject any and all bids, to waive any informality in bids and, unless otherwise specified by the bidder, to accept any item in the bid. If either a unit price or extended price is obviously in error and the other is obviously correct, the incorrect price will be disregarded.
12. **REFERENCES:** WCPSS reserves the right to require a list of users of the exact item offered. WCPSS may contact these users to determine acceptability of the bid. Such information may be considered in the evaluation of the bid.
13. **AWARD OF CONTRACT:** As directed by statute, qualified bids will be evaluated and acceptance may be made of the lowest and best bid most advantageous to WCPSS as determined upon consideration of such factors as: prices offered; the quality of the articles offered; the general reputation and performance capabilities of the bidders; the substantial conformity with the specifications and other conditions set forth in the bid; the suitability of the articles for the intended use; the related services needed; the date or dates of delivery and performance; and such other factors deemed by WCPSS to be pertinent or peculiar to the purchase in question. Unless otherwise specified by WCPSS or the bidder, WCPSS reserves the right to accept any item or group of items on a multi-item bid. WCPSS also reserves the right to reject any and all bids. In addition, on TERM CONTRACTS, WCPSS reserves the right to make partial, progressive, or multiple awards: where it is advantageous to award separately by items; or where more than one supplier is needed to provide the contemplated requirements as to quantity, quality, delivery, service, geographical areas; other factors deemed by WCPSS to be pertinent or peculiar to the purchase in question.
14. **HISTORICALLY UNDERUTILIZED BUSINESSES:** Pursuant to General Statute 143-48 and Executive Order #150, WCPSS invites and encourages participation in this procurement process by businesses owned by minorities, women, disabled, disabled business enterprises and non-profit work centers for the blind and severely disabled.

15. **CONFIDENTIAL INFORMATION:** As provided by statute and rule, WCPSS will consider keeping trade secrets which the bidder does not wish disclosed confidential. Each page shall be identified in boldface at the top and bottom as "CONFIDENTIAL" by the bidder. Cost information shall not be deemed confidential. In spite of what is labeled as a trade secret, the determination whether it is or not will be determined by North Carolina law.
16. **SAMPLES:** Sample of items, when required, must be furnished as stipulated herein, free of expense, and if not destroyed will, upon request, be returned at the bidder's expense. Request for the return of samples must be made within 10 days following date of bid opening. Otherwise, the samples will become WCPSS property. Each individual sample must be labeled with the bidder's name, bid number, and item number. A sample on which an award is made, will be retained until the contract is completed, and then returned, if requested, as specified above.
17. **AWARD PROCEDURES:** Contract award notice shall be posted on WCPSS website. Contract award notices are sent **only** to those actually awarded contracts, and not to every person or firm responding to this solicitation.
18. **RECIPROCAL PREFERENCE:** G.S. 143-59 establishes a reciprocal preference law to discourage other states from applying in-state preferences against North Carolina's resident bidders. The "Principal Place of Business" is defined as the principal place from which the trade or business of the bidder is directed or managed.
19. **DEFAULT AND PERFORMANCE BOND:** In case of default by the contractor, WCPSS may procure the articles or services from other sources and hold the contractor responsible for any excess cost occasioned thereby. WCPSS reserves the right to require performance bond or other acceptable alternative guarantees from successful bidder without expense to WCPSS.
20. **GOVERNMENTAL RESTRICTIONS:** In the event any Governmental restrictions are imposed which necessitate alteration of the material, quality, workmanship, or performance of the items offered prior to their delivery, it shall be the responsibility of the contractor to notify in writing WCPSS, indicating the specific regulation which required such alterations. WCPSS reserves the right to accept any such alterations, including any price adjustments occasioned thereby, or to cancel the contract.
21. **TAXES:** Any applicable taxes shall be invoiced as a separate item.
G.S. 143-59.1 bars the WCPSS from entering into contracts with vendors if the vendor or its affiliates meet one of the conditions of G. S. 105-164.8(b) and refuse to collect use tax on sales of tangible personal property to purchasers in North Carolina. Conditions under G. S. 105-164.8(b) include: (1) Maintenance of a retail establishment or office, (2) Presence of representatives in the State that solicit sales or transact business on behalf of the vendor and (3) Systematic exploitation of the market by media-assisted, media-facilitated, or media-solicited means. By execution of the bid document the vendor certifies that it and all of its affiliates (if it has affiliates) collect(s) the appropriate taxes.
22. **SITUS:** The place of this contract, its situs and forum, shall be Wake County, North Carolina, where all matters, whether sounding in contract or tort, relating to its validity, construction, interpretation, and enforcement shall be determined.
23. **GOVERNING LAWS:** This contract is made under and shall be governed and construed in accordance with the laws of the State of North Carolina.
24. **INSPECTION AT CONTRACTOR'S SITE:** WCPSS reserves the right to inspect, at a reasonable time, the equipment/item, plant or other facilities of a prospective contractor prior to contract award, and during the contract term as necessary for WCPSS determination that such equipment/item, plant or other facilities conform with the specifications/requirements and are adequate and suitable for the proper and effective performance of the contract.
25. **PAYMENT TERMS:** Payment terms are Net not later than 30 days after receipt of correct invoice or acceptance of goods, whichever is later. Payment may be made by procurement card, and it shall be accepted by the contractor for payment if the contractor accepts that card (Visa, MasterCard, etc.) from other customers.
26. **CONDITION AND PACKAGING:** Unless otherwise provided by special terms and conditions or specifications, it is understood and agreed that any item offered or shipped has not been sold or used for any purpose and shall be in first class condition. All containers/packaging shall be suitable for handling, storage, or shipment.
27. **STANDARDS:** All manufactured items and/or fabricated assemblies subject to operation under pressure, operation by connection to an electric source, or operation involving a connection to a manufactured, natural, or LP gas source shall be constructed and approved in a manner acceptable to the appropriate state inspector which customarily requires the label or re-examination listing or identification marking of the appropriate safety standard organization; such as the American Society of Mechanical Engineers for pressure vessels; the Underwriters Laboratories and /or National Electrical Manufacturers' Association for electrically operated assemblies; or the American Gas Association for gas operated assemblies, where such approvals of listings have been established for the type of device offered and furnished. Further, all items furnished shall meet all requirements of the Occupational Safety and Health Act (OSHA), and state and federal requirements relating to clean air and water pollution.
28. **PATENT:** The contractor shall hold and save WCPSS, its officers, agents, and employees, harmless from liability of any kind, including costs and expenses, on account of any confidential information, copyrighted material, patented or unpatented invention, articles, device or appliance manufactured or used in the performance of this contract, including use by WCPSS or disclosure of any information pursuant to the NC Public Records Act.
29. **ASSIGNMENT:** No assignment of the contractor's obligations nor the contractor's right to receive payment hereunder shall be permitted. However, upon written request approved by the purchasing department and solely as a convenience to the contractor, WCPSS may:
 - a. Forward the contractor's payment check directly to any person or entity designated by the contractor, and
 - b. Include any person or entity designated by contractor as a joint payee on the contractor's payment check.
 In no event shall such approval and action obligate WCPSS to anyone other than the contractor and the contractor shall remain responsible for fulfillment of all contract obligations.

30. **INSURANCE:**

Certificates of Insurance acceptable to WCPSS shall be filed with WCPSS prior to commencement of the Work. These Certificates shall contain a provision that coverage afforded under the policies will not be canceled until at least thirty (30) days' prior written notice has been given to WCPSS, and that the Wake County Board of Education is listed as additional insured on general liability and automobile liability. **Provider agrees to maintain the appropriate insurance outlined in Exhibit B.** Other types of appropriate insurance may be required depending upon scope of services provided. Examples are aviation liability, pollution liability, crime, employee dishonesty/directors and officers.

The successful vendor agrees to hold harmless and indemnify the Wake County Board of Education (WCBOE) for any liability that may arise from the negligent or illegal acts of the vendor's employees or agents.

31. **GENERAL INDEMNITY:** The provider shall hold and save WCPSS, its officers, agents, and employees, harmless from liability of any kind, including all claims and losses, accruing or resulting to any other person, firm, or corporation furnishing or supplying work, services, materials, or supplies in connection with the performance of this contract, and from any and all claims and losses accruing or resulting to any person, firm, or corporation that may be injured or damaged by the provider in the performance of this contract and that are attributable to the negligence or intentionally tortious acts of the provider. The provider represents and warrants that it shall make no claim of any kind or nature against WCPSS agents who are involved in the delivery or processing of contractor goods to WCPSS. The representation and warranty in the preceding sentence shall survive the termination or expiration of this contract.
32. **CANCELLATION (TERM CONTRACTS ONLY):** All contract obligations shall prevail for at least 180 days after the effective date of the contract. After that period, in addition to the provisions of the paragraph entitled Price Adjustments, for the protection of both parties, this contract may be canceled in whole or in part by either party by giving 30 days prior notice in writing to the other party.
33. **QUANTITIES (TERM CONTRACTS ONLY):** The award of a term contract neither implies nor guarantees any minimum or maximum purchases there under.
34. **PRICE ADJUSTMENTS (TERM CONTRACTS ONLY):** Any price changes, downward or upward, which might be permitted during the contract period must be general, either by reason of market change or on the part of the contractor to other customers.
- a. **Notification:** Must be given to WCPSS, in writing, concerning any proposed price adjustments. Such notification shall be accompanied by copy of manufacturer's official notice or other acceptable evidence that the change is general in nature.
- b. **Decreases:** WCPSS shall receive full proportionate benefit immediately at any time during the contract period. **Increases:** All prices shall be firm against any increase for 180 days from the effective date of the contract. After this period, a request for increase may be submitted with WCPSS reserving the right to accept or reject the increase or cancel the contract. Such action by WCPSS shall occur not later than 15 days after the receipt by WCPSS of a properly documented request for price increase. Any increases accepted shall become effective not later than 30 days after the expiration of the original 15 days reserved to evaluate the request for increase.
35. **Invoices:** It is understood and agreed that orders will be shipped at the established contract prices in effect on dates orders are placed. Invoicing at variance with this provision will subject the contract to cancellation. Applicable North Carolina sales tax shall be invoiced as a separate item.
36. **LUNSFORD ACT/CRIMINAL BACKGROUND CHECKS:** The Provider shall conduct at its own expense sexual offender registry checks on each of its employees, agents, ownership personnel, or contractors ("contractual personnel") who will engage in any service on or delivery of goods to school system property or at a school-system sponsored event. The checks shall include at a minimum check of the State Sex Offender and Public Protection Registration Program, the State Sexually Violent Predator Registration Program, and the National Sex Offender Registry ("the Registries"). For the Provider's convenience only, all of the required registry checks may be completed at no cost by accessing the North Carolina Sex Offender Registry website at <http://sexoffender.ncdoj.gov/>. The Provider shall provide certification on Sexual Offender Registry Check Certification Form that the registry checks were conducted on each of its contractual personnel providing services or delivering goods under this Agreement prior to the commencement of such services or the delivery of such goods. The Provider shall conduct a current initial check of the registries (a check done more than 30 days prior to the date of this Agreement shall not satisfy this contractual obligation). In addition, Provider agrees to conduct the registry checks and provide a supplemental certification form before any additional contractual personnel are used to deliver goods or provide services pursuant to this Agreement. Provider further agrees to conduct annual registry checks of all contractual personnel and provide annual certifications at each anniversary date of this Agreement. Provider shall not assign any individual to deliver goods or provide services pursuant to this Agreement if said individual appears on any of the listed registries. Provider agrees that it will maintain all records and documents necessary to demonstrate that it has conducted a thorough check of the registries as to each contractual personnel and agrees to provide such records and documents to the school system upon request. Provider specifically acknowledges that the school system retains the right to audit these records to ensure compliance with this section at any time in the school system's sole discretion. Failure to comply with the terms of this provision shall be grounds for immediate termination of the Agreement. In addition, the school system may conduct additional criminal records checks at Provider's expense. If the school system exercises this right to conduct additional criminal records checks, Provider agrees to provide within seven (7) days of request the full name, date of birth, state of residency for the past ten years, and any additional information requested by the school system for all contractual personnel who may deliver goods or perform services under this Agreement. Provider further agrees that it has an ongoing obligation to provide the school system with the name of any new contractual personnel who may deliver goods or provide services under the Agreement. WCPSS reserves the right to prohibit any contractual personnel of Provider from delivering goods or providing services under this Agreement if WCPSS determines, in its sole discretion, that such contractual personnel may pose a threat to the safety or well-being of students, school personnel or others.
37. **ACCESS TO PERSONS AND RECORDS:** The State Auditor and the WCPSS internal auditors shall have access to persons and records as a result of all contracts or grants entered into by WCPSS in accordance with General Statute 147-64.7 and Session Law 2010-194, Section 21 (i.e., the State Auditors and WCPSS may audit the records of the contractor during the term of the contract to verify accounts and data affecting fees or performance).

38. **COMPLIANCE WITH E-VERIFY:** Provider shall comply with all applicable laws and regulations in providing services under this Contract. In particular, Provider shall not employ any individuals to provide services to the School System who are not authorized by federal law to work in the United States. Provider represents and warrants that it is aware of and in compliance with the Immigration Reform and Control Act and North Carolina law (Article 2 of Chapter 64 of the North Carolina General Statutes) requiring use of the E-Verify system for employers who employ twenty-five (25) or more employees and that it is and will remain in compliance with these laws at all times while providing services pursuant to this Contract. Provider shall also ensure that any of its subcontractors (of any tier) will remain in compliance with these laws at all times while providing subcontracted services in connection with this Contract.
39. **COMPLIANCE WITH AFFORDABLE CARE ACT:** Provider is responsible for providing affordable health care coverage to all of its full-time employees providing services to the School System. The definitions of “affordable coverage” and “full-time employee” are governed by the Affordable Care Act and accompanying IRS and Treasury Department regulations.
40. **RESTRICTED COMPANIES LIST:** Bidder represents that as of the date of this bid, Bidder is not included on the Final Divestment List created by the North Carolina State Treasurer pursuant to N.C. Gen. Stat. § 147-86.58. Bidder also represents that as of the date of this bid, Bidder is not included on the list of restricted companies determined to be engaged in a boycott of Israel created by the North Carolina State Treasurer pursuant to N.C. Gen. Stat. § 147-86.81.
41. **BUSINESS AUTHORIZATION:** Bidder is duly qualified to do business in North Carolina. If Bidder is a business entity that is not registered in North Carolina, prior to providing any products or beginning any services described by this bid, Bidder shall either (i) obtain a certificate of authority from the Secretary of State for North Carolina, pursuant to N. C. Gen. Stat. § 55-15-03, or (ii) provide a letter from an attorney indicating that the attorney has reviewed N. C. Gen. Stat. § 55-15-01 and determined that Bidder is not required to obtain a certificate of authority pursuant to N. C. Gen. Stat. § 55-15-01(b).

30. INSURANCE:

1. **Commercial General Liability:** The Vendor shall procure insurance coverage for direct operations, contractual liability and completed operations with limits not less than those stated below:

	Occurrence:
a. General Aggregate	\$2,000,000
b. Premises Operations	\$1,000,000
c. Personal & Advertising Injury	\$1,000,000
d. Medical Expense (any one person)	\$5,000
2. **Comprehensive Automobile Liability Insurance**, including coverage for owned, hired, and non-owned vehicles: A Combined Single Limit for bodily injury and property damage limit of not less than \$2,000,000; and \$2,000 medical payments.
3. **Worker's Compensation** including Occupational Disease and Employer's Liability Insurance.
 - a. Part A: Worker's Compensation Coverage – Statutory Limits as required by state of North Carolina Worker's Compensation laws.
 - b. Part B: Employer's Liability:
 - c. Bodily Injury by Accident: \$500,000 each accident
 - d. Bodily Injury by Disease: \$500,000 each employee
 - e. Bodily Injury by Disease: \$500,000 Policy Limit
4. **Professional Liability Insurance (PL)/Errors and Omissions (E&O)** – Required for any services involving professional services such as architectural and or engineering services. May include malpractice insurance if medical or mental health services are provided. Minimum Limit requirements \$1,000,000
5. **Sexual Misconduct Insurance (SML)/Sexual Abuse/Molestation** - Required for any provider services when alone with students. Covers allegations of sexual abuse by policyholder and those employed by them, whether founded or unfounded. Minimum Limit requirements 1,000,000.
6. **Cyber Liability:** Required for any activity involving personal identifiable information or software applications. Minimum Limit requirements \$1,000,000 up to \$5,000,000.
7. Other types of appropriate insurance may be required depending upon scope of services provided. Examples are aviation liability, pollution liability, crime, employee dishonesty/directors and officers.
8. **Certificates of Insurance** acceptable to WCPSS shall be filed with WCPSS prior to commencement of the Work. These Certificates shall contain a provision that coverage afforded under the policies will not be canceled until at least thirty (30) days' prior written notice has been given to WCPSS, and that the Wake County Board of Education is listed as additional insured on general liability and automobile liability.

The successful vendor agrees to hold harmless and indemnify the Wake County Board of Education (WCBOE) for any liability that may arise from the negligent or illegal acts of the vendor's employees or agents.

CONTRACT PROVISIONS REGARDING THE USE OF FEDERAL FUNDS

The Contractor is notified that this project may be financed with federal funds. The Contractor shall ensure that all subcontracts and other contracts for goods and services for a federally funded project have the mandated provisions of this directive in their contracts. By submission of a proposal, Contractor agrees to comply with the following provisions. Failure to comply with any and all provisions herein may be cause for the contracting agency to issue a cancellation notice to a contractor.

Remedies for Breach

When federal funds are expended by **Wake County Board of Education (the School System)**, the School System reserves all rights and privileges under the applicable laws and regulations with respect to this procurement in the event of breach of contract by either party.

Termination for cause and for convenience by the School System

When federal funds are expended by the School System, the School System reserves the right to immediately terminate any agreement in excess of \$10,000 resulting from this procurement process in the event of a breach or default of the agreement by Contractor, in the event Contractor fails to: (1) meet schedules, deadlines, and/or delivery dates within the time specified in the procurement solicitation, contract, and/or a purchase order; (2) make any payments owed; or (3) otherwise perform in accordance with the contract and/or the procurement solicitation. The School System also reserves the right to terminate the contract immediately, with written notice to Contractor, for convenience, if the School System believes, in its sole discretion, that it is in the best interest of the School System to do so. The Contractor will be compensated for work performed and accepted and goods accepted by the School System as of the termination date if the contract is terminated for convenience of the School System. Any award under this procurement process is not exclusive and the School System reserves the right to purchase goods and services from other vendors when it is in the best interest of the School System.

Equal Employment Opportunity

Except as otherwise provided under 41 CFR Part 60, when funds will be expended by the School System on a contract that meet the definition of "federally assisted construction contract" in 41 CFR Part 60-1.3, Contractor certifies it will comply with the equal opportunity clause provided under 41 CFR 60-1.4(b), in accordance with Executive Order 11246, "Equal Employment Opportunity" (30 FR 12319, 12935, 3 CFR Part, 1964-1965 Comp., p. 339), as amended by Executive Order 11375, "Amending Executive Order 11246 Relating to Equal Employment Opportunity," and implementing regulations at 41 CFR part 60, "Office of Federal Contract Compliance Programs, Equal Employment Opportunity, Department of Labor."

Davis-Bacon Act, as amended (40 U.S.C. 3141-3148)

During the term of an award for all contracts and subgrants for construction or repair, the Contractor certifies it will be in compliance with all applicable Davis-Bacon Act provisions. In accordance with the statute, contractors must be required to pay wages to laborers and mechanics at a rate not less than the prevailing wages specified in a wage determination made by the Secretary of Labor. In addition, contractors must be required to pay wages not less than once a week. the School System will report all suspected or reported violations to the Federal awarding agency. Contractor certifies it will comply with the Copeland "Anti-Kickback" Act (40 U.S.C. 3145), as supplemented by Department of Labor regulations (29 CFR Part 3, "Contractors and Subcontractors on Public Building or Public Work Financed in Whole or in Part by Loans or Grants from the United States"). The Act provides that each contractor or subrecipient must be prohibited from inducing, by any means, any person employed in the construction, completion, or repair of public work, to give up any part of the compensation to which he or she is otherwise entitled. the School System will report all suspected or reported violations to the Federal awarding agency.

Contract Work Hours and Safety Standards Act (40 U.S.C. 3701-3708)

The Contractor certifies that during the term of an award for all contracts in excess of \$100,000 that involve the employment of mechanics or laborers, the Contractor will be in compliance with all applicable provisions of the Contract Work Hours and Safety Standards Act. Under 40 U.S.C. 3702 of the Act, each contractor must be required to compute the wages of every

mechanic and laborer on the basis of a standard work week of 40 hours. Work in excess of the standard work week is permissible provided that the worker is compensated at a rate of not less than one and a half times the basic rate of pay for all hours worked in excess of 40 hours in the work week. The requirements of 40 U.S.C. 3704 are applicable to construction work and provide that no laborer or mechanic must be required to work in surroundings or under working conditions which are unsanitary, hazardous, or dangerous. These requirements do not apply to the purchases of supplies or materials or articles ordinarily available on the open market, or contracts for transportation or transmission of intelligence.

Rights to Inventions Made Under a Contract or Agreement

If the Federal award meets the definition of “funding agreement” under 37 CFR §401.2 (a) and Contractor wishes to enter into a contract with a small business firm or nonprofit organization regarding the substitution of parties, assignment or performance of experimental, developmental, or research work under that “funding agreement,” Contractor agrees to comply with the requirements of 37 CFR Part 401, “Rights to Inventions Made by Nonprofit Organizations and Small Business Firms Under Government Grants, Contracts and Cooperative Agreements,” and any implementing regulations issued by the awarding agency.

Clean Air Act (42 U.S.C. 7401-7671q.) and the Federal Water Pollution Control Act (33 U.S.C. 1251-1387) Compliance

The Contractor certifies that during the term of an award for all contracts by the School System resulting from this procurement process in excess of \$150,000, the Contractor agrees to comply with all applicable standards, orders or regulations issued pursuant to the Clean Air Act (42 U.S.C. 7401-7671q) and the Federal Water Pollution Control Act as amended (33 U.S.C. 1251- 1387). Violations must be reported to the Federal awarding agency and the Regional Office of the Environmental Protection Agency (EPA).

Debarment and Suspension

Contractor certifies that during the term of an award for all contracts by the School System resulting from this procurement process, the Contractor certifies that neither it nor its principals is presently debarred, suspended, proposed for debarment, declared ineligible, or voluntarily excluded from participation by any federal department or agency.

Compliance with Byrd Anti-Lobbying Amendment (31 U.S.C. 1352)

When federal funds are expended by the School System for an award exceeding \$100,000, the Contractor certifies that during the term and after the awarded term of an award for all contracts by the School System resulting from this procurement process, the vendor certifies that it is in compliance with all applicable provisions of the Byrd Anti-Lobbying Amendment (31 U.S.C. 1352). The Contractor further certifies that:

No Federal appropriated funds have been paid or will be paid for on behalf of the Contractor, to any person for influencing or attempting to influence an officer or employee of any agency, a Member of Congress, an officer or employee of congress, or an employee of a Member of Congress in connection with the awarding of a Federal contract, the making of a Federal grant, the making of a Federal loan, the entering into a cooperative agreement, and the extension, continuation, renewal, amendment, or modification of a Federal contract, grant, loan, or cooperative agreement.

If any funds other than Federal appropriated funds have been paid or will be paid to any person for influencing or attempting to influence an officer or employee of any agency, a Member of Congress, an officer or employee of congress, or an employee of a Member of Congress in connection with this Federal grant or cooperative agreement, the undersigned shall complete and submit Standard Form-LLL, “Disclosure Form to Report Lobbying”, in accordance with its instructions.

The Contractor shall require that the language of this certification be included in the award documents for all covered sub-awards exceeding \$100,000 in Federal funds at all appropriate tiers and that all subrecipients shall certify and disclose accordingly.

Compliance with Solid Waste Disposal Act

In the event the Contract involves the purchase of more than \$10,000 in items designed by guidelines of the Environmental Protection Agency at 40 C.F.R. Part 247, Contractor agrees to comply with the requirements of section 6002 of the Solid Waste Disposal Act. In particular, the Contractor certifies that the percentage of recovered materials to be used in the performance of the contract will be at least the amount required by applicable specifications or other contractual requirements.

Prohibition on certain telecommunications and video surveillance services or equipment

As detailed in 2 CFR § 200.216, Contractor certifies that any equipment, services, or systems provided through this contract shall not use covered telecommunications equipment or services as a substantial or essential component of a system or as part of any system.

Domestic Preference

As detailed in 2 CFR § 200.322, as appropriate and to the extent consistent with law, Contractor certifies that, to the greatest extent practicable, the goods, products, or materials furnished through this award will be produced in the United States (including but not limited to iron, aluminum, steel, cement, and other manufactured products).

Records Retention Requirements

The Contractor certifies that it will comply with the record retention requirements detailed in 2 CFR § 200.334. The Contractor further certifies that Contractor will retain all records as required by 2 CFR § 200.334 for a period of three years after grantees or subgrantees submit final expenditure reports or quarterly or annual financial reports, as applicable, and all other pending matters are closed.

Certification of Non-Collusion Statement

Contractor certifies under penalty of perjury that its response to this procurement solicitation is in all respects bona fide, fair, and made without collusion or fraud with any person, joint venture, partnership, corporation or other business or legal entity.

Prohibition of Gifts

Contractor certifies that it will comply with the prohibition against giving gifts, gratuities, favors or anything of monetary value to an officer, employee, or agent of the School System. Contractor understands and agrees that violation of these standards will result in termination of the contract and may result in ineligibility for future contract awards.

FORM - A
RETURN THIS DOCUMENT IN SEALED BID PACKET

Wake County Public School System
Vendor Information Form

VENDOR NAME: _____

STREET/POBOX: _____

CITY, STATE, ZIP CODE: _____

ORDER ADDRESS: _____

PAY ADDRESS (IF DIFFERENT): _____

CONTACT PERSON: _____

TELEPHONE #: (____) _____ **FAX #:** (____) _____

E-MAIL ADDRESS: _____

FEDERAL TAX ID #: ____ - ____ - ____ - ____ - ____ **OR**

SOCIAL SECURITY #: ____ - ____ - ____ - ____ - ____

(YOU MUST PROVIDE U.S. TAXPAYER ID # (EITHER SS# OR FEDERAL ID #) TO RECEIVE PAYMENT)

NAME(S) OF OWNER(S) OF COMPANY: _____

ARE ANY OWNERS IN #1 RELATED TO ANY EMPLOYEE OF WAKE COUNTY PUBLIC SCHOOL SYSTEM? YES ____ **NO** ____

IF YOUR ANSWER TO #2 ABOVE IS YES: _____

Owner Name

WCPSS Employee	Position/Dept. Employed	Relationship
_____	_____	_____

IS YOUR COMPANY INCORPORATED? YES ____ **NO** ____

INVOICE PAYMENT TERMS? NET 30 ____ **1% 10 NET 30** ____ **2% 10 NET 30** ____ **OTHER** _____

IS YOUR COMPANY A VENDOR OF ANY N.C. DEPARTMENT OF ADMINISTRATION DIVISION OF PURCHASE AND

CONTRACT CERTIFICATION? YES ____ **NO** ____ **NOT SURE** ____

THIS FIRM CERTIFIES THAT IT IS A: WOMAN OWNED ____ **MINORITY OWNED** ____ **DISABLED OWNED** ____

(NOTE: TO QUALIFY FOR W/M/D STATUS, 51% OF THE COMPANY MUST BE OWNED AND CONTROLLED BY A WOMAN, MINORITY, OR DISABLED INDIVIDUAL)

ARE YOU A SUPPLIER OF GOODS ____ **OR A SERVICE PROVIDER** ____

ARE YOU A GOVERNMENT AGENCY? YES ____ **NO** ____

DO YOU RECEIVE RETIREMENT INCOME FROM THE N.C. RETIREMENT SYSTEM? YES ____ **NO** ____

FORM - B

RETURN THIS DOCUMENT IN SEALED BID PACKET

**WAKE COUNTY PUBLIC SCHOOL SYSTEM
ADDITIONAL COMPANY INFORMATION**

Company Name (Please Print)

Contract Person Information:

If contact person or mailing address is different from the Authorized Representative on Form A, please specify below.

Mailing Address: _____

Contract Person _____

Position or Title of Contact Person _____

Phone Number of Contact Person _____

Fax Number of Contact Person _____

Email Address of Contact Person _____

SWORN STATEMENT OF UNDERSTANDING

I, _____, being duly sworn depose and say that I have reviewed the foregoing document and the same is true and accurate of my own personal knowledge except those matters set forth on information and belief and as to those I also believe them to be true.

Company Name (Please Print)

Signature of Authorized Representative

Date of Signature

Sworn to and subscribed before me this _____ day of _____, 20__

_____, Notary public, My commission expires: _____

FORM - C

RETURN THIS DOCUMENT IN SEALED BID PACKET

**WAKE COUNTY PUBLIC SCHOOL SYSTEM
DEALERSHIP LISTING**

If your company has more than one location that will be servicing this contract, please list each location below.
If additional sheets are required, please duplicate this form as necessary or attach list with requested information.
(Please Type or Print)

First Listing:

Company Name

Address

City State Zip

Phone, Cellular, Fax, and/or Email.

Contact Person

Second Listing:

Company Name

Address

City State Zip

Phone, Cellular, Fax, and/or Email.

Contact Person

**FORM - D
RETURN THIS DOCUMENT IN SEALED BID PACKET**

WAKE COUNTY PUBLIC SCHOOL SYSTEM

MINORITY, WOMEN, SMALL BUSINESS ENTERPRISE INFORMATION

Pursuant to WCPSS Board of Education policy and NC General Statutes, WCPSS invites and encourages participation in this procurement process by businesses owned by minorities, women, small business enterprise, disabled business enterprises and non-profit work centers for the blind and severely disabled.

Parties are required to complete the following information when submitting their response to this request:

Check all that apply:

- Minority Owned Business
- Woman Owned Business
- Small Business Enterprise

_____ Yes, I certify that that my company has been certified by the North Carolina Department of Administration (HUB Office) as a Historically Underutilized Business.

_____ No, my company has not yet received HUB or MWBE certification but meet the above criteria.

_____ No, my company is not a minority, woman, or small business enterprise.

Vendor Signature: _____

Date: _____

Print Name: _____

FORM - E
RETURN THIS DOCUMENT IN SEALED BID PACKET

WAKE COUNTY PUBLIC SCHOOL SYSTEM
CERTIFICATION FOR CONTRACTS, GRANTS, LOANS AND AGREEMENTS
LOBBYING

The undersigned certifies, to the best of his or her knowledge and belief, that:

- 1) No federal appropriated funds have been paid or will be paid, by or on behalf of the undersigned, to any person for influencing or attempting to influence an officer or employee of any agency, a Member of Congress, an officer or employee of Congress, or an employee of a Member of Congress in connection with the awarding of any Federal contract, the making of any WCPSS agreement, and the extension, continuation, renewal, amendment, or modification of any Federal contract, grant, loan, or WCPSS agreement.
- 2) If any funds other than Federal appropriated funds have been paid or will be paid to any person for influencing or attempting to influence an officer or employee of any agency, a Member of Congress, an officer or employee of Congress, or an employee of a Member of Congress in connection with this Federal contract, grant, loan or WCPSS agreement, the undersigned shall complete and submit Standard Form-LLL, "Disclosure Form to Report Lobbying", in accordance with its instructions.
- 3) The undersigned shall require that the language of this certification be included in the award documents for all sub-awards at all tiers (including sub-contracts, sub-grants and contracts under grants, loans and WCPSS agreements) and that all sub-recipients shall certify and disclose accordingly.

This certification is a material representation of fact upon which reliance was placed when this transaction was made or entered into. Submission of this certification is a prerequisite for making or entering into this transaction imposed by section 1352, title 31 U.S. Code. Any person who fails to file the required certification shall be subject to a civil penalty of not less than \$10,000 and not more than \$100,000 for each such failure.

Company Name (Please Print)

Signature of Authorized Representative

Date of Signature

FORM - F
RETURN THIS DOCUMENT IN SEALED BID PACKET

United States Department of Agriculture (USDA)
CERTIFICATION REGARDING DEBARMENT, SUSPENSION, AND OTHER RESPONSIBILITY MATTERS –
PRIMARY COVERED TRANSACTIONS

This certification is required by the regulations implementing Executive Order 12549, Debarment and Suspension, 7 CFR Part 3017, Section 3017.510, Participants' responsibilities. The regulations were published as Part IV of the January 30, 1989, Federal Register (pages 4722-4733). Copies of the regulations may be obtained by contacting the Department of Agriculture agency offering the proposed covered transaction.

(BEFORE COMPLETING CERTIFICATION, READ INSTRUCTIONS ON NEXT PAGE)

- (1) The prospective primary participant certifies to the best of its knowledge and belief, that it and its principals:
 - (a) are not presently debarred, suspended, proposed for debarment, declared ineligible, or voluntarily excluded from covered transactions by any Federal department or agency;
 - (b) have not within a three-year period preceding this bid been convicted of or had a civil judgment rendered against them for commission of fraud or a criminal offense in connection with obtaining, attempting to obtain, or performing a public (Federal, State or Local) transaction or contract under a public transaction; violation of Federal or State antitrust statutes or commission of embezzlement, theft, forgery, bribery, falsification or destruction of records, making false statements, or receiving stolen property;
 - (c) are not presently indicted for or otherwise criminally or civilly charged by a governmental entity (Federal, State or Local) with commission of any of the offenses enumerated in paragraph (1) (b) of this certification; and
 - (d) have not within a three-year period preceding this application/bid had one or more public transactions (Federal, State or Local) terminated for cause or default.
- (2) Where the prospective primary participant is unable to certify to any of the statements in this certification, such prospective participant shall attach an explanation to this bid.

Company Name (Please Print)

Signature of Authorized Representative

Date of Signature

**FORM - G
RETURN THIS DOCUMENT IN SEALED BID PACKET**

**WAKE COUNTY PUBLIC SCHOOL SYSTEM
INSTRUCTIONS FOR CERTIFICATION**

1. By signing and submitting this form, the prospective lower tier participant is providing the certification set out on the reverse side in accordance with these instructions.
2. The certification in this clause is a material representation of fact upon which reliance was placed when this transaction was entered into. If it is later determined that the prospective lower tier participant knowingly rendered an erroneous certification, in addition to other remedies available to the Federal Government, the department or agency with which this transaction originated may pursue available remedies, including suspension and/or debarment.
3. The prospective lower tier participant shall provide immediate written notice to the person to whom this bid is submitted if at any time the prospective lower tier participant learns that its certification was erroneous when submitted or has become erroneous by reason of changed circumstances.
4. The terms "covered transaction," "debarred," "suspended," "ineligible," "lower tier covered transaction," "participant," "person," "primary covered transaction," "principal," "bid," and "voluntarily excluded," as used in this clause, have the meanings set out in the Definitions and Coverage sections of rules implementing Executive Order 12549. You may contact the person to which this bid is submitted for assistance in obtaining a copy of those regulations.
5. The prospective lower tier participant agrees by submitting this form that, should the proposed covered transaction be entered into, it shall not knowingly enter into any lower tier covered transaction with a person who is debarred, suspended, declared ineligible, or voluntarily excluded from participation in this covered transaction, unless authorized by the department or agency with which this transaction originated.
6. The prospective lower tier participant further agrees by submitting this form that it will include this clause titled "Certification Regarding Debarment, Suspension, Ineligibility and Voluntary Exclusion - Lower Tier Covered Transactions," without modification, in all lower tier covered transactions and in all solicitations for lower tier covered transactions.
7. A participant in a covered transaction may rely upon a certification of a prospective participant in a lower tier covered transaction that it is not debarred, suspended, ineligible, or voluntarily excluded from the covered transaction, unless it knows that the certification is erroneous. A participant may decide the method and frequency by which it determines the eligibility of its principals. Each participant may, but is not required to, check the No procurement List.
8. Nothing contained in the foregoing shall be construed to require establishment of a system of records in order to render in good faith the certification required by this clause. The knowledge and information of a participant is not required to exceed that which is normally possessed by a prudent person in the ordinary course of business dealings.
9. Except for transactions authorized under paragraph 5 of these instructions, if a participant in a covered transaction knowingly enters into a lower tier covered transaction with a person who is suspended, debarred, ineligible, or voluntarily excluded from participation in this transaction, in addition to other remedies available to the Federal Government, the department or agency with which this transaction originated may pursue available remedies, including suspension and/or debarment.

Form AD-1048 (2/89)

The WCPSS will assume that you will service WCPSS as listed (current and potential) unless you designate otherwise. REMINDER: You can cite exceptions to the terms and conditions on your "Deviation/Compliance Form" to control additional freight to members.

Please sign below to indicate that you understand your service commitments during the term of this contract.

Company Name (Please Print)

Signature of Authorized Representative

Date of Signature

IFB #251-26-046

FORM - I
RETURN THIS DOCUMENT IN SEALED BID PACKET

WAKE COUNTY PUBLIC SCHOOL SYSTEM
EVIDENCE OF INSURANCE

Attach copy, or evidence, of required Property, Liability and Worker's Compensation Insurance.

FORM - J
RETURN THIS DOCUMENT IN SEALED BID PACKET

WAKE COUNTY PUBLIC SCHOOL SYSTEM
LUNSFORD ACT – SEX OFFENDER & PUBLIC PROTECTION PROGRAM

The Vendor acknowledges that N.C. General Statute 14-208.18 prohibits anyone required to register as a sex offender under Article 27A of Chapter 14 of the General Statutes from knowingly being on the premises of any school. This prohibition applies to persons required to register under Article 27A who have committed any offense in Article 7A of Chapter 14 or any offense where the victim of the offense was under the age of 16 years at the time of the offense.

CRIMINAL BACKGROUND CHECKS. The Vendor shall conduct criminal background checks on each of its employees who, pursuant to this Agreement, engage in any services on WCPSS property or at WCPSS events. The Vendor shall provide documentation that criminal background checks were conducted on each of its employees prior to hiring, and shall refuse employment to any person convicted of a felony or any other crime, whether misdemeanor or felony, that indicates the person poses a threat to the physical safety of students, school personnel or others. Such check shall include an annual check of the State Sex Offender and Public Protection Registration Program, the State Sexually Violent Predator Registration Program, and the National Sex Offender Registry. Vendor shall not assign any employee or agent to provide services pursuant to this contract if (1) said worker appears on any of the listed registries; (2) said worker has been convicted of a felony; (3) said worker has been convicted of any crime, whether misdemeanor or felony, involving sex, violence, or drugs; or (4) said worker has engaged in any crime or conduct indicating that the worker may pose a threat to the safety or well-being of student or school personnel. WCPSS reserves the right to prohibit any individual employee of Vendor from providing services on WCPSS property or at WCPSS events if WCPSS determines, in its sole discretion, that such employee poses a threat to the safety or well-being of students, school personnel or others.

Company Name (Please Print)

Signature of Authorized Representative

Date of Signature

**FORM - K
RETURN THIS DOCUMENT IN SEALED BID PACKET**

VENDOR'S FOOD RECALL POLICY/PROCEDURES

The U.S. food service industry is the safest in the world, but issues surface from time – to – time requiring fast and effective communication to recall a product that has been deemed unsafe. Provide a summary, or attach a document, explaining your company policy on addressing Food –Recalls.

COMPANY NAME (please print): _____

COMMODITY: _____

SUMMARY EXPLAINING YOUR COMPANY POLICY ON ADDRESSING FOOD RECALLS.

Signature of Authorized Representative

Printed Name of Authorized Representative

Date

**FORM – L
PRICING FORM**

Furnish, delivery, set in place, and set up ready for installation

Item	QTY.	UOM	DESCRIPTION	EXTENDED PRICE
1	1	Each	ColorPoint Model CP-36-RTE Tray and silver table. Provide with 12" x 20" pan built into the top shelf, lower shelf to have two Stainless steel curved partitions to keep trays stacked for self-service 5-inch locking casters, as per SPECIFICATIONS & Drawing attached. Vendor Offering (Please state Manufacturer and Model being offered) Manufacturer: Model:	\$ _____
2	1	Each	ColorPoint Model CP-QSP-DW-MF-05-84 5 well Quick/switch table. Provide with dual service buffet shield, LED lights, drains in wells, Line up locks, 5-inch locking casters, as per SPECIFICATIONS & Drawing attached. 120-208/60/1 Vendor Offering (Please state Manufacturer and Model being offered) Manufacturer: Model:	\$ _____
3	1	Each	ColorPoint Model CP-QSP-DW-MF-04-66 4 well Quick/switch table. Provide with dual service buffet shield, LED lights, drains in wells, Line up locks, 5-inch locking casters, as per SPECIFICATIONS & Drawing. 120-208/60/1 Vendor Offering (Please state Manufacturer and Model being offered) Manufacturer: Model:	\$ _____
4	1	Each	ColorPoint Model CP-ST-MF-50 Solid Top table. Provide with cut out and drop in SilverKing Model SKFD123-ELUS1 ice cream merchandiser with lid lock. Counter to be dual service, line up locks, 5-inch locking casters, as per SPECIFICATIONS & Drawing attached. 120/60/1 Vendor Offering (Please state Manufacturer and Model being offered) Manufacturer: Model:	\$ _____
5	1	Each	ColorPoint Model CP-CSE-MF-60 Dual Cashier's Table. Provide with two locking removable cash drawers, slide out storage shelf, line up locks, two convenience outlets, 5-inch locking casters, as per SPECIFICATIONS & Drawing attached. 120/60/1 Vendor Offering (Please state Manufacturer and Model being offered) Manufacturer: Model:	\$ _____
6	1	Each	ColorPoint Model CP-50-MF-ST Solid Top condiment table. Provide with open storage base with stainless steel door, 5-inch locking casters. Counters to be 32" high with tray slides mounted at 30", as per SPECIFICATIONS & Drawing attached. Vendor Offering (Please state Manufacturer and Model being offered) Manufacturer: Model:	\$ _____

TOTAL EXTENDED PRICE: \$ _____

**FORM - M: REFERENCES – Must be included in IFB Packet
RETURN THIS DOCUMENT IN SEALED BID PACKET**

WAKE COUNTY PUBLIC SCHOOL SYSTEM

CUSTOMER REFERENCES

Vendors shall provide at least three references, for similar size and scope projects, for which comparable services and supplies have been, and continue to be, provided. WCPSS may not be used as one of the references.

Name of Organization		Contact Person Name	
Contract Value		Contact Person Title	
Contact Person Email Address		Contact Person Telephone Number	

Name of Organization		Contact Person Name	
Contract Value		Contact Person Title	
Contact Person Email Address		Contact Person Telephone Number	

Name of Organization		Contact Person Name	
Contract Value		Contact Person Title	
Contact Person Email Address		Contact Person Telephone Number	

FORM - N

RETURN THIS DOCUMENT IN SEALED BID PACKET

WAKE COUNTY PUBLIC SCHOOL SYSTEM

FORMS CHECKLIST (This forms checklist is included for your convenience. Please complete and return all of the attached forms):

- _____ Bid Execution (Page 2 of bid document) **Must be signed in order for bid to be fully executed.**
- _____ Wake County Public School System Vendor Information Form – Form A
- _____ Additional Company Information & Sworn Statement of Understanding (**Notarized**) – Form B
- _____ Dealership Listing – Form C
- _____ Historically Underutilized Business (HUB) Certification – Form D
- _____ Certification for Contracts, Grants, Loans, & Agreements Lobbying – Form E
- _____ Certification Regarding Debarment, Suspension and Other Responsibility Matters– Form F
- _____ Instructions for Certification – Form G
- _____ Deviations/Compliance Form – Form H
- _____ Evidence of Insurance – Form I
- _____ Lunsford Act – Sex Offender and Public Protection Program – Form J
- _____ Vendor’s Food Recall Policy/Procedures – Form K
- _____ Pricing Sheet – Form L
- _____ References – Form M
- _____ Forms Checklist – Form N

USDA NON-DISCRIMINATION STATEMENT

In accordance with Federal civil rights law and U.S. Department of Agriculture (USDA) civil rights regulations and policies, the USDA, its Agencies, offices, and employees, and institutions participating in or administering USDA programs are prohibited from discriminating based on race, color, national origin, sex, disability, age, or reprisal or retaliation for prior civil rights activity in any program or activity conducted or funded by USDA.

Persons with disabilities who require alternative means of communication for program information (e.g., Braille, large print, audiotape, American Sign Language, etc.), should contact the Agency (State or local) where they applied for benefits. Individuals who are deaf, hard of hearing or have speech disabilities may contact USDA through the Federal Relay Service at (800) 877-8339. Additionally, program information may be made available in languages other than English.

To file a program complaint of discrimination, complete the [USDA Program Discrimination Complaint Form](#), (AD-3027) found online at: [How to File a Complaint](#), and at any USDA office, or write a letter addressed to USDA and provide in the letter all of the information requested in the form. To request a copy of the complaint form, call (866) 632-9992. Submit your completed form or letter to USDA by:

1. mail: U.S. Department of Agriculture
Office of the Assistant Secretary for Civil Rights
1400 Independence Avenue, SW
Washington, D.C. 20250-9410;
2. fax: (202) 690-7442; or
3. email: program.intake@usda.gov.

This institution is an equal opportunity provider.

FEDERAL CONTRACTING REQUIREMENTS

This *Attachment* is incorporated into the Goods and/or Service Contract between WCPSS and the Vendor. Capitalized terms not defined in this Attachment shall have the meanings assigned to such terms in the Contract.

This Contract will be funded in whole or in part with federal funding. As such, federal laws, regulations, policies, and related administrative practices apply to this Contract. The most recent of such federal requirements, including any amendments made after the execution of this Contract shall govern the Contract, unless the federal government determines otherwise. This *Attachment* identifies the federal requirements that may be applicable to this contract. The Vendor is responsible for complying with all applicable provisions, updates or modifications that occur in the future relating to these clauses.

To the extent possible, the federal requirements contained in the most recent version of the Uniform Administrative Requirements for federal awards (Uniform Rules) codified at 2.C.F.R., Part 200, including any certifications and contractual provisions required by any federal statutes or regulation referenced therein to be included in this contract are deemed incorporated into this contract by reference and shall be incorporated into any sub-agreement or subcontract executed by the Vendor pursuant to its obligations under this Contract. The Vendor and its sub-contractors, if any, hereby represent and covenant that they have complied and shall comply in the future with all applicable federal, state, and local laws, regulations, and rules and School System policies and procedures, as amended from time to time, relating to work to be performed under this Contract. The following provisions are specifically incorporated into this Contract.

1. Equal Employment Opportunity. In the event this Contract meets the definition of “federally assisted construction contract” set forth in 41 C.F.R. § 60-1.3, the Vendor agrees to all requirements set forth in 41 C.F.R. 60-1.4(b), which are incorporated by reference into this Contract.
2. Compliance with Davis-Bacon Act. In the event this Contract involves a prime construction arrangement for an amount in excess of \$2,000, the Vendor agrees to comply with all provisions of the Davis-Bacon Act (40 U.S.C. §§ 1341-3144, 3146-3148), as supplemented by Department of Labor regulations (29 CFR Part 5, “Labor Standards Provisions Applicable to Contracts Covering Federally Financed and Assisted Construction”).
3. Compliance with Contract Work Hours and Safety Standards Act. In the event this Contract is for an amount in excess of \$100,000 and involves the employment of mechanics or laborers, the Vendor agrees to comply with all requirements of the Contract Work Hours and Safety Standards Act (40 U.S.C. §§ 3701-3708), as supplemented by Department of Labor regulations (29 CFR Part 5).
4. Compliance with Regulations Regarding Rights to Inventions. In the event the federal funds expended on this Contract meet the definition of “funding agreement” under 37 CFR § 401.2 (a), and this Contract involves the substitution of parties, assignment or performance of experimental, developmental, or research work under that “funding agreement,” the District agrees to comply with the requirements of 37 CFR Part 401, “Rights to Inventions Made by Nonprofit Organizations and Small Business Firms Under Government Grants, Contracts and Cooperative Agreements,” and any implementing regulations issued by the awarding agency.
5. Compliance with Clean Air Act and Federal Water Pollution Control Act. If the Contract is for an amount in excess of \$150,000, the Vendor agrees to comply with all applicable standards, orders or regulations issued pursuant to the Clean Air Act (42 U.S.C. §§ 7401-7671q) and the Federal Water Pollution Control Act as amended (33 U.S.C. §§ 1251-1387).
6. Compliance with Disbarment and Suspension Requirements. The Vendor certifies that it is not listed in the System for Award Management (SAM), as a party debarred, suspended, or otherwise excluded by agencies, or otherwise declared ineligible under statutory or regulatory authority.
7. Compliance with Byrd Anti-Lobbying Amendment. If the Contract is for an amount in excess of \$100,000, the Vendor agrees to provide the District with the certifications required by 31 U.S.C. § 1352.
8. Compliance with Solid Waste Disposal Act. In the event the Contract involves the purchase of more than \$10,000 in items designed by guidelines of the Environmental Protection Agency at 40 C.F.R. Part 247, the Parties agree to comply with the requirements of section 6002 of the Solid Waste Disposal Act. In particular, the Vendor certifies that the percentage of recovered materials to be used in the performance of the contract will be at least the amount required by applicable specifications or other contractual requirements.

DRAWN BY: CW
 REV1: 02-14-24 RT
 REV2: 2.23.24 MB
 REV3: 10.7.24 CRB
 REV4:
 SCALE 3/4" = 1'-0"
 QUOTE # 53361

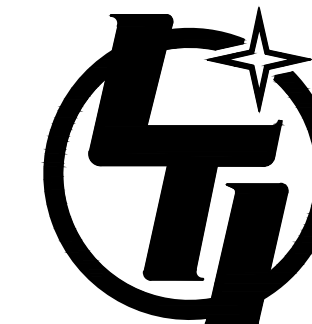
#1 - THIS DRAWING IS THE LEGAL PROPERTY OF LTI, INC. IT MAY NOT BE COPIED OR REPRODUCED WITHOUT THE WRITTEN CONSENT OF LTI. IF USED WHOLLY OR PARTIALLY TO FABRICATE OR PRODUCE EQUIPMENT OTHER THAN THAT FURNISHED BY LTI, LTI RESERVES THE RIGHT TO CHARGE 4% OF THE COST OF THE EQUIPMENT AS AN ENGINEERING AND DESIGN FEE

#2 - LTI, INC. IS NOT RESPONSIBLE FOR EQUIPMENT MEETING LOCAL CODES UNKNOWN TO LTI. IT IS THE RESPONSIBILITY OF THE FSEC TO NOTIFY LTI OF ANY LOCAL CODES THAT AFFECT CONSTRUCTION OR MATERIALS. FSEC IS REQUIRED TO REVIEW THIS DRAWING AND NOTIFY LTI OF ANY LOCAL CODES PRIOR TO FABRICATION OR WILL INCUR ADDITIONAL ASSOCIATED COSTS.

DEALER: DEACON FOODSERVICE SOLUTIONS

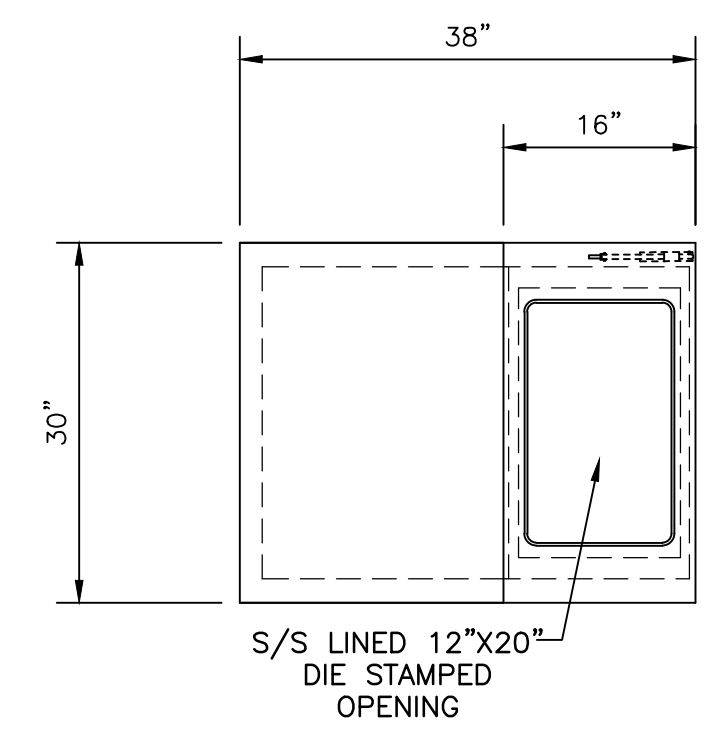
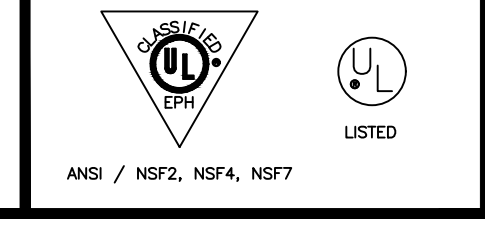
PROJECT: BAUCOM ELEMENTARY SCHOOL

C.O. #1	1 CHANGES:
C.O. #2	2 CHANGES:
C.O. #3	3 CHANGES:

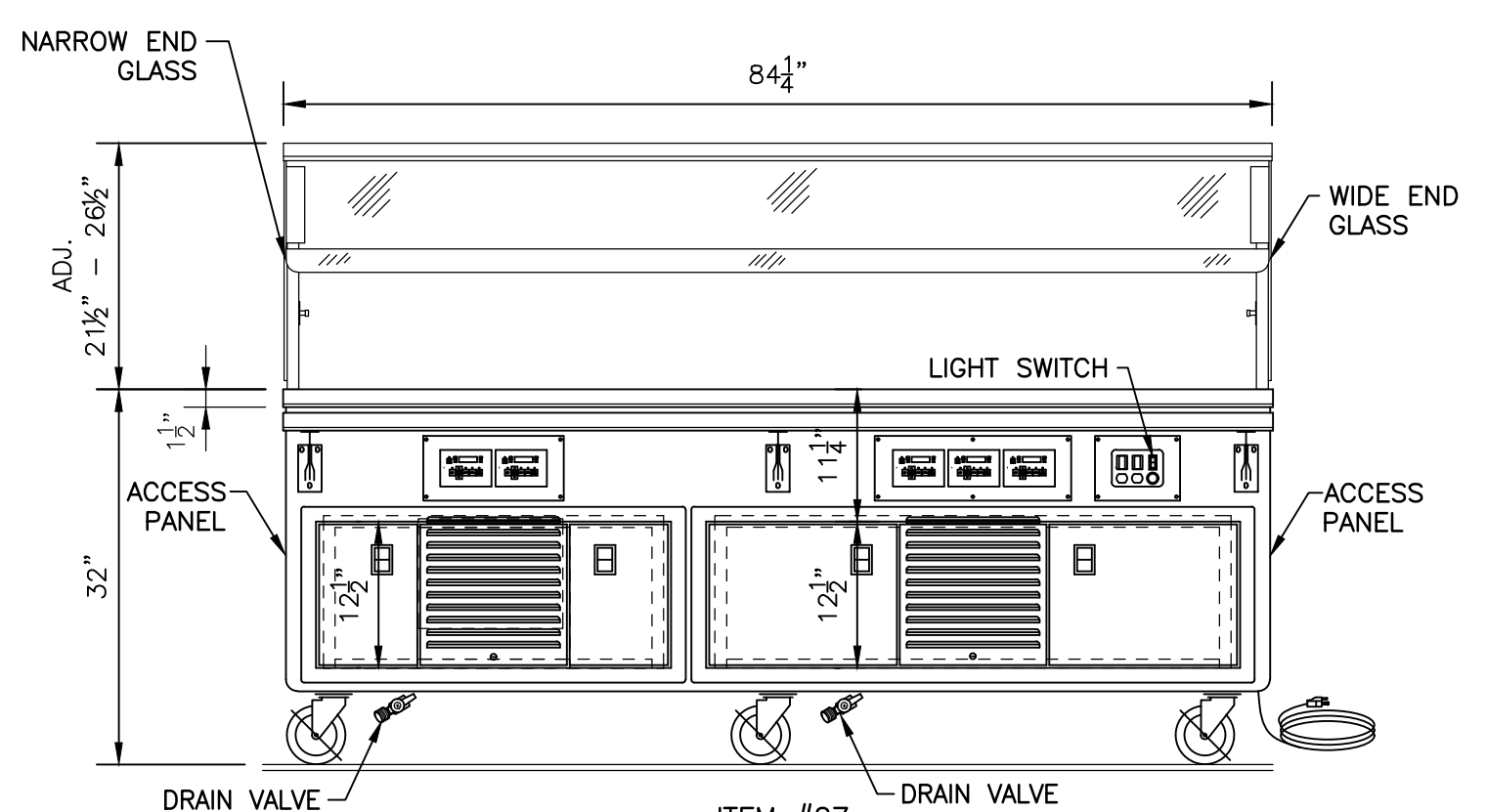
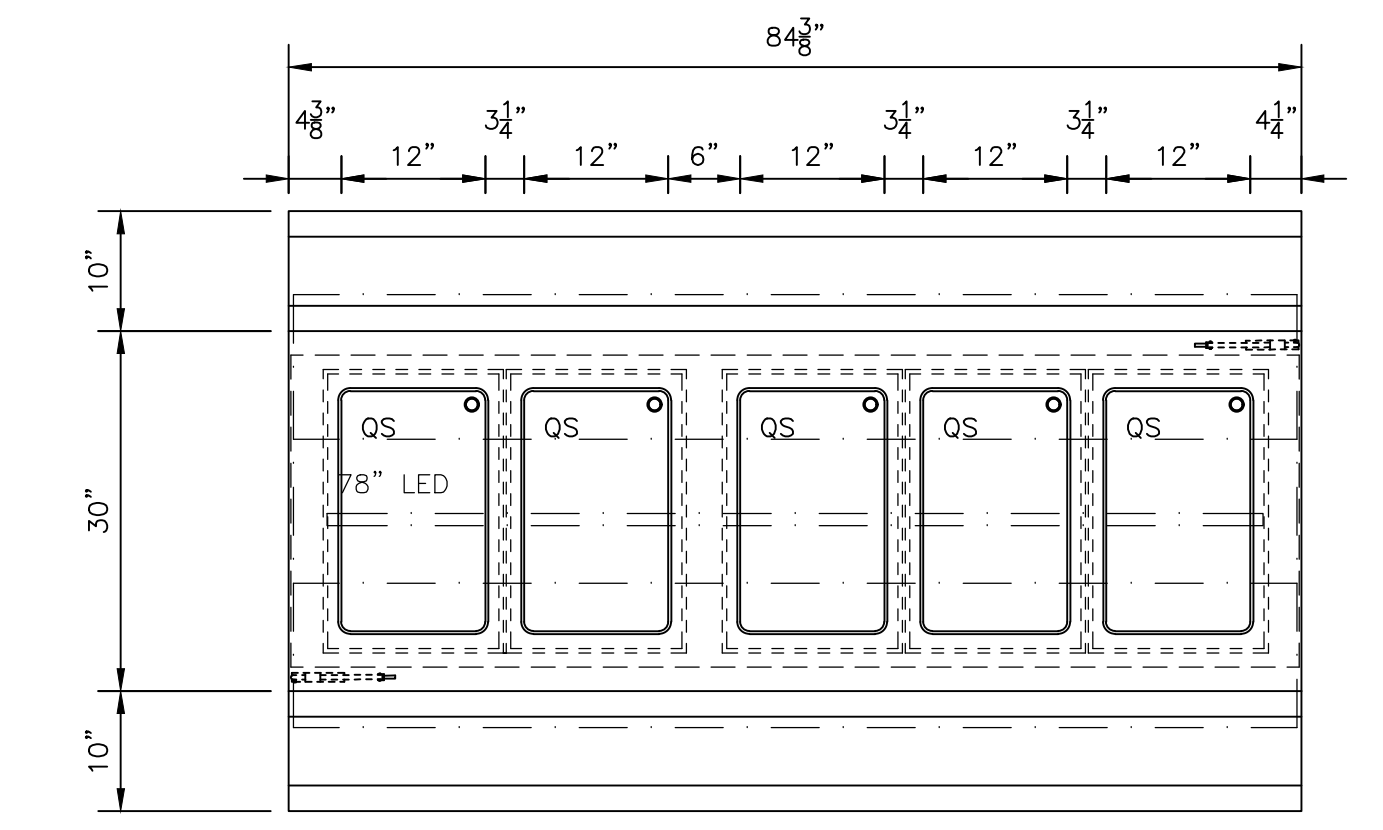


Changing how food is served.
 lowtempind.com
 LTI
 1947 Bill Casey Parkway
 Jonesboro, GA 30236
 tel 770.478.8803
 fax 770.471.3715

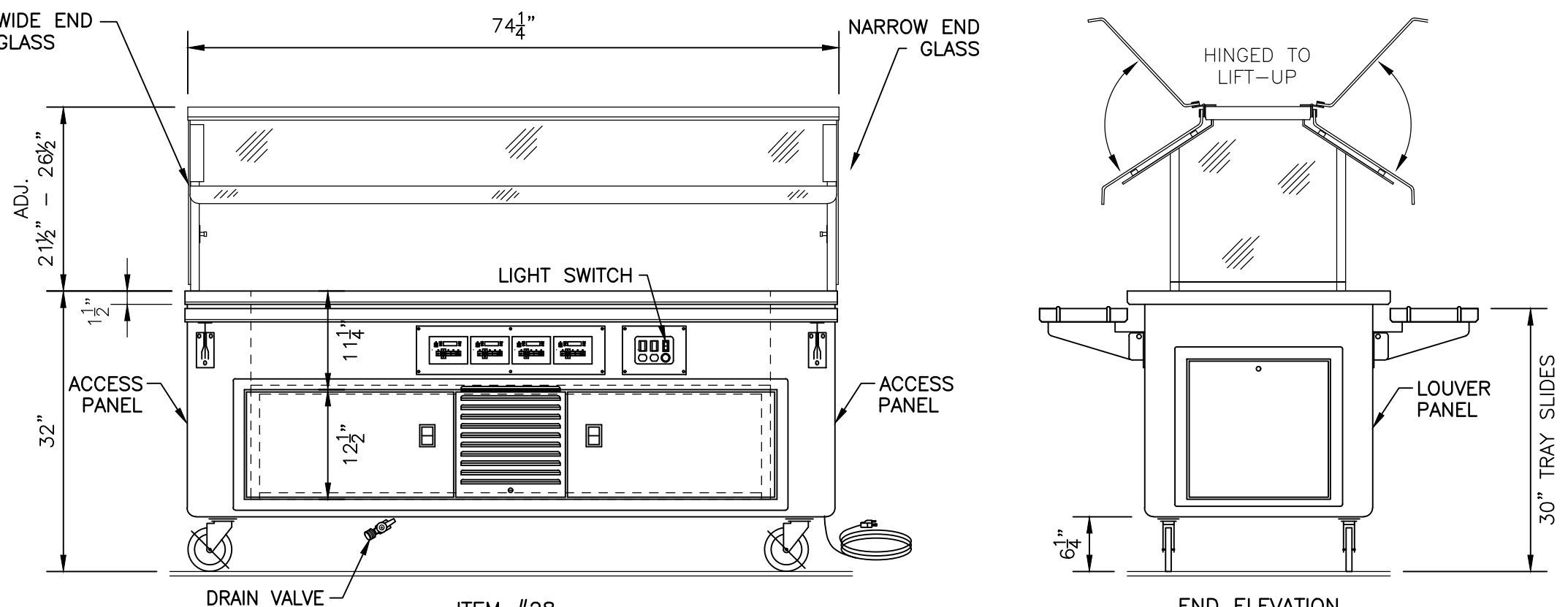
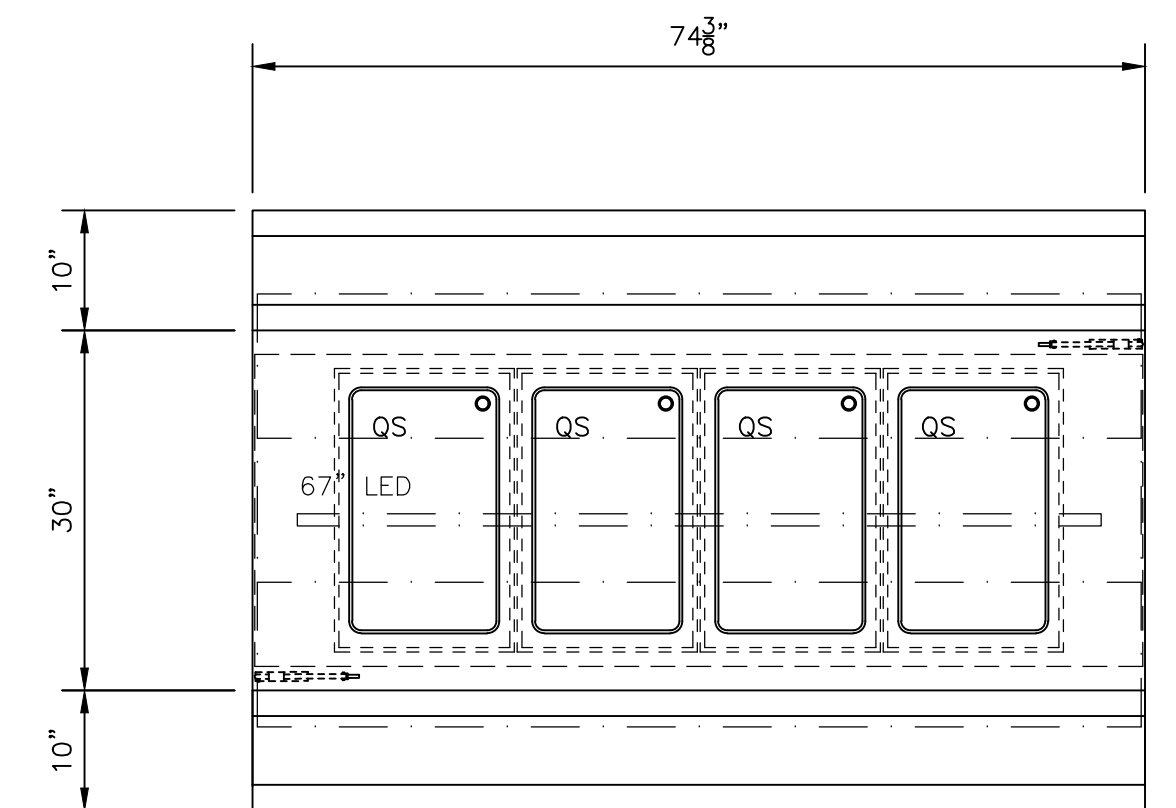
ORDER # C1833A
 DWG# 23-C1833A-R3
 DATE: 5/22/2023
 SHEET # K1 OF 2



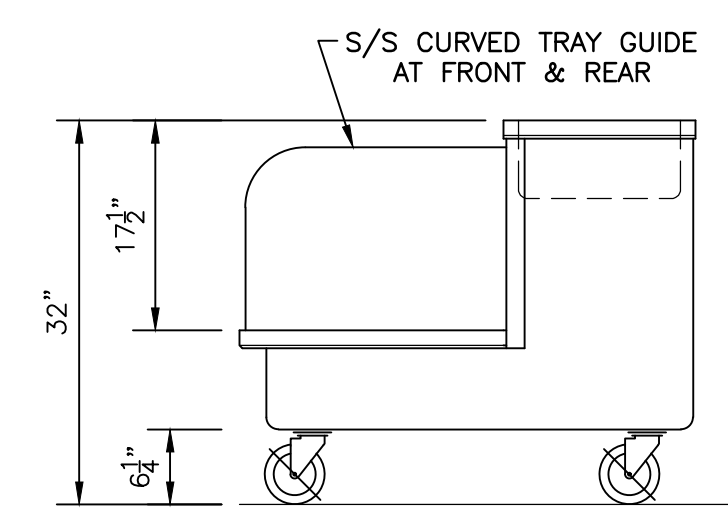
S/S LINED 12"X20" DIE STAMPED OPENING



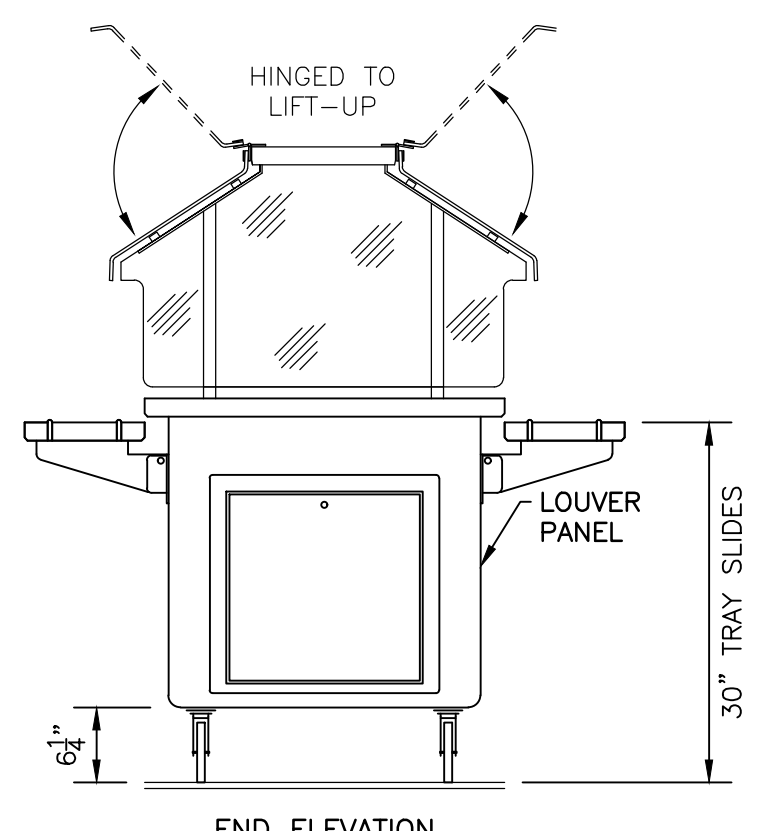
ITEM #27
 84-QSCHP5-F
 ONE (1) REQ'D
 A N AA RR
 ELECT - 120V/208V/1PH/21.9A
 PLUG - (14-30P)
 1/3 H.P. - REFRIGERANT R449A
 COLOR - SUN YELLOW Y-2003



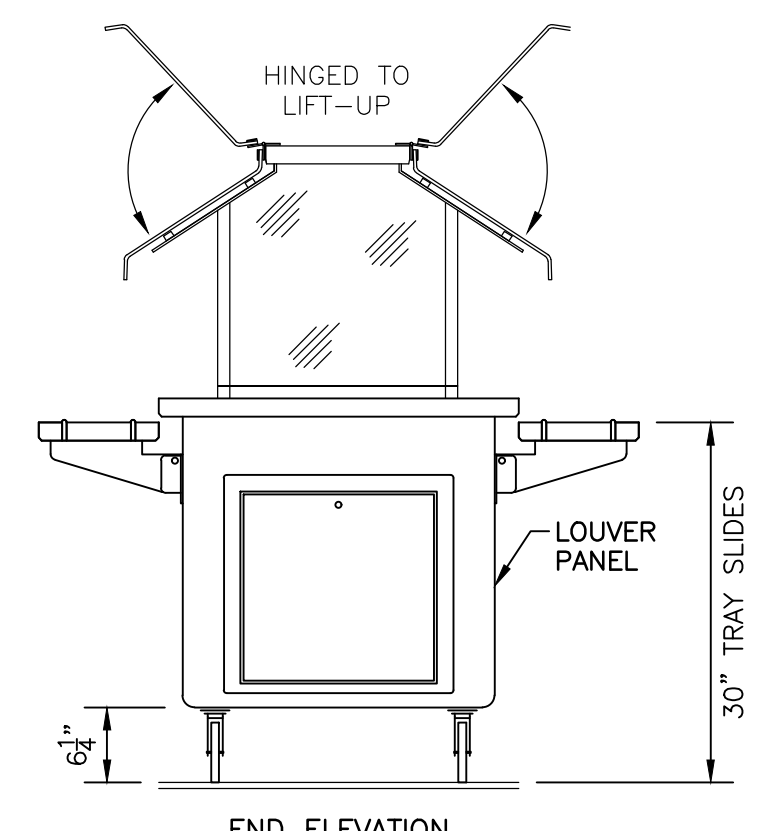
ITEM #28
 74-QSCHP4-F
 ONE (1) REQ'D
 A N AA RR
 ELECT - 120/208V/1PH/14.7A
 1/3 H.P. - REFRIGERANT R449A
 PLUG - (14-20P)
 COLOR - SUN YELLOW Y-2003



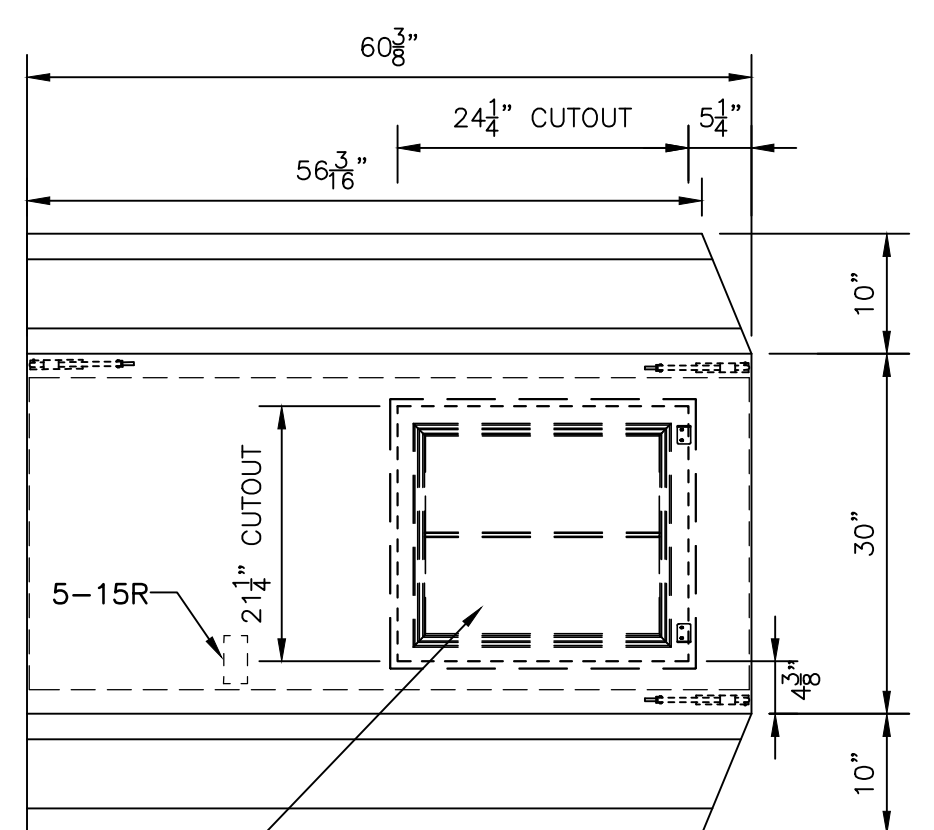
ITEM #25
 36-RTE-F
 ONE (1) REQ'D
 AA
 COLOR - SUN YELLOW Y-2003



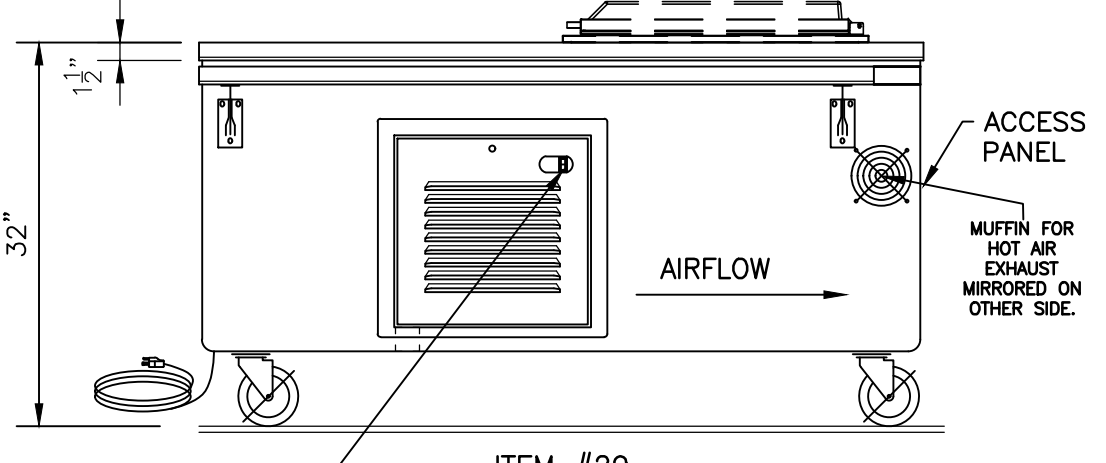
END ELEVATION ITEM #27



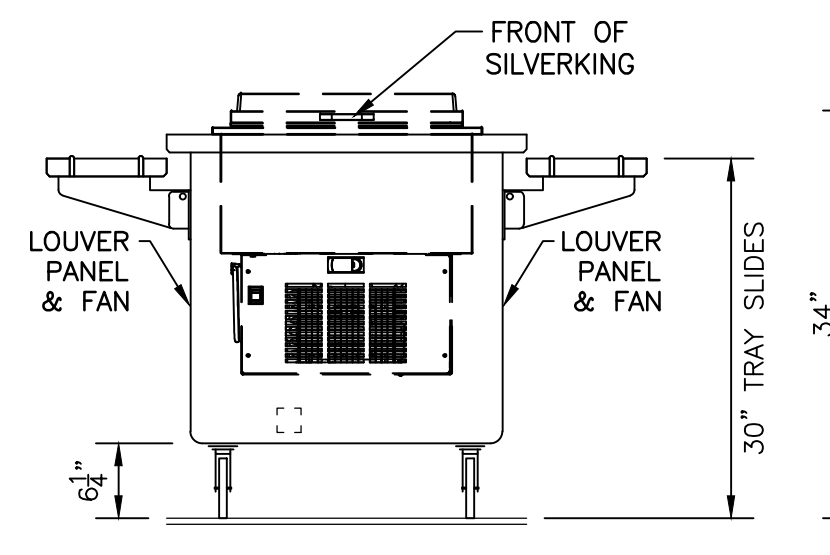
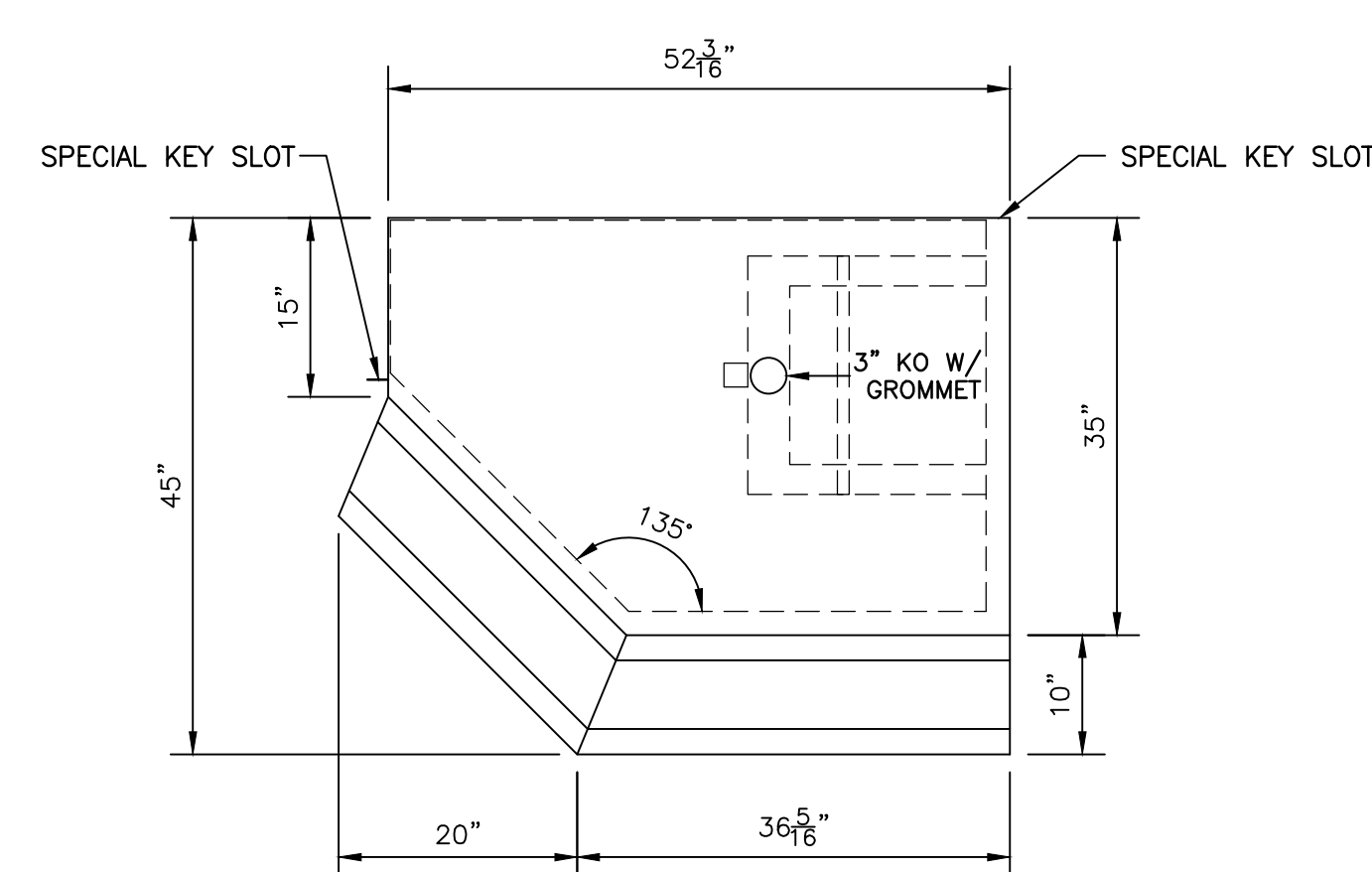
END ELEVATION ITEM #28



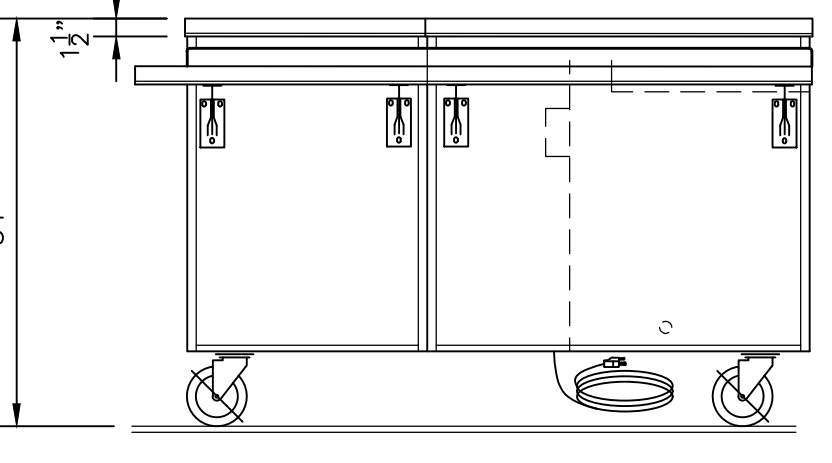
SILVERKING - SKFD123-ELUS1 120V/1PH/2.1A DROP-IN FURNISHED AND INSTALLED BY DEALER



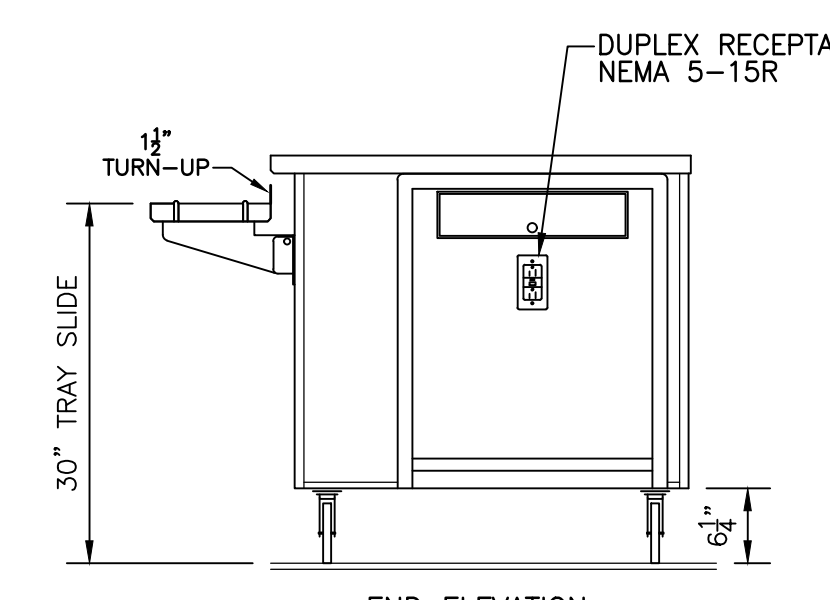
ITEM #29
 60-ST-F
 ONE (1) REQ'D
 A AA
 ELECT - 120V/1PH / 2.1A
 PLUG - (5-15P)
 COLOR - SUN YELLOW Y-2003



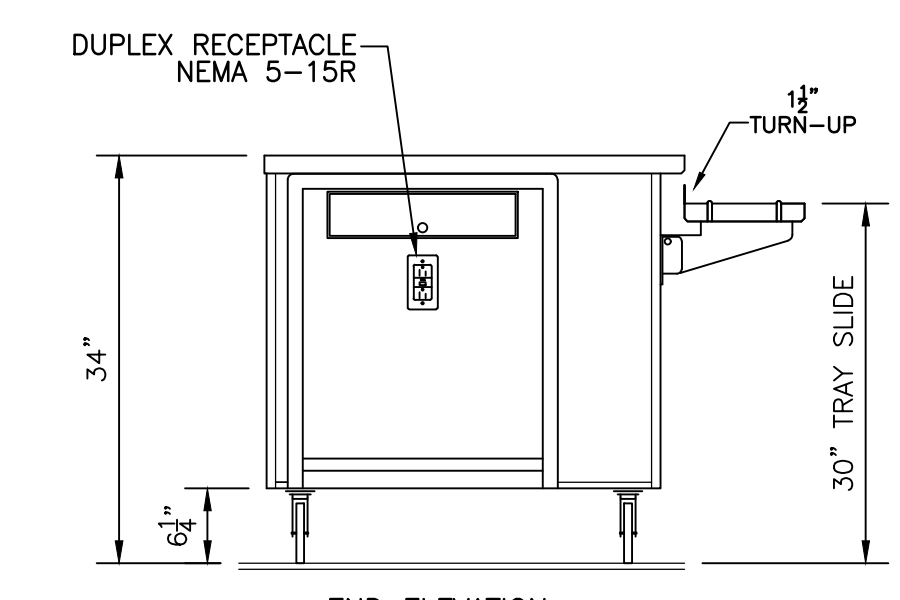
END ELEVATION ITEM #29



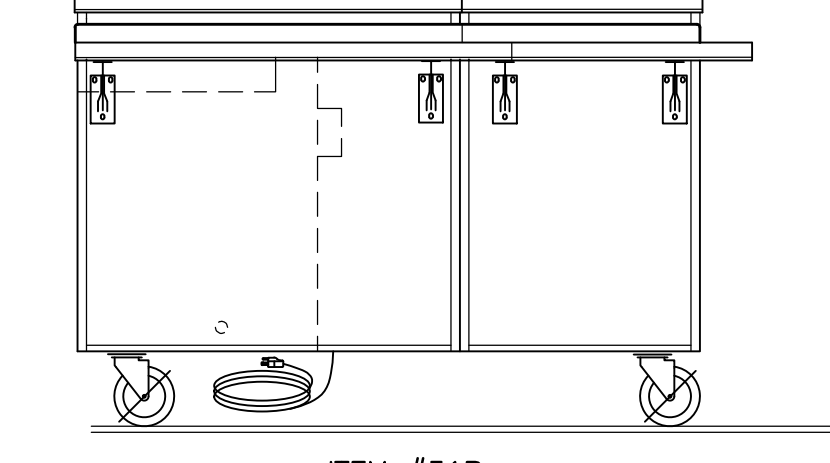
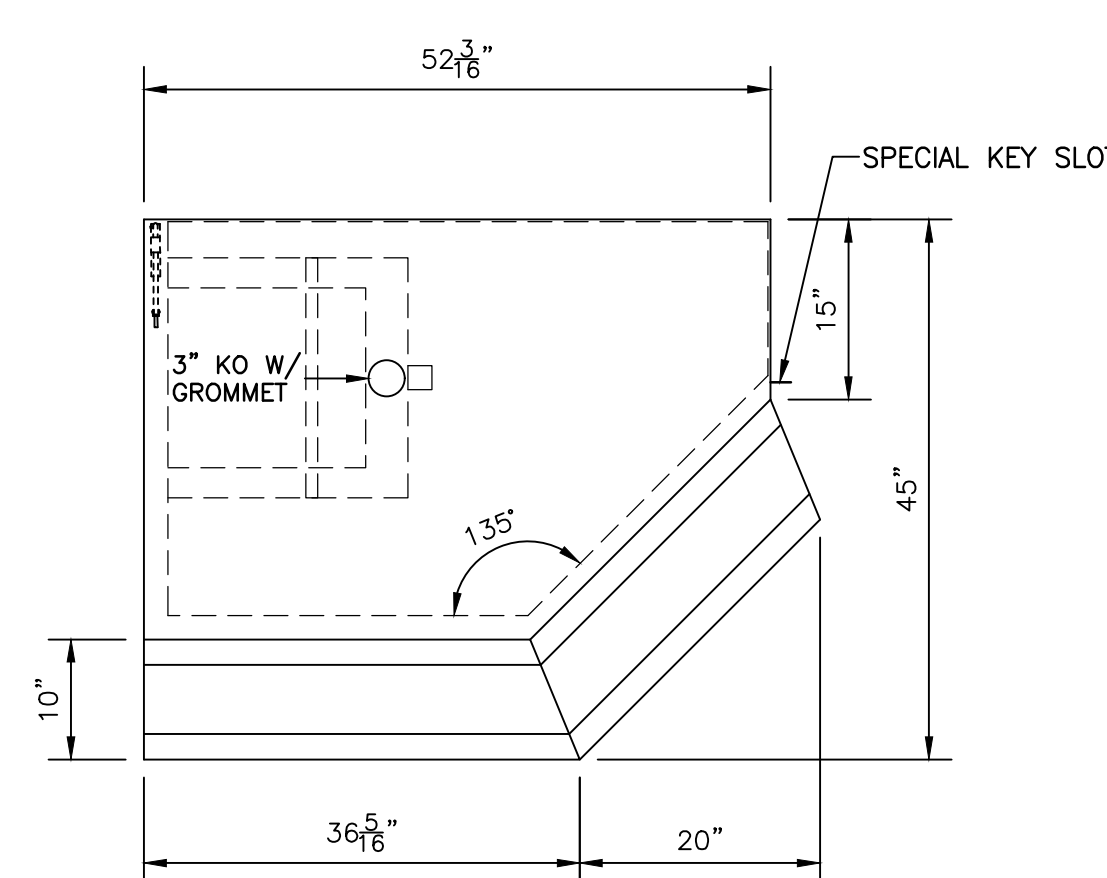
ITEM #31A
 60-CSE-MOD-F
 ONE (1) REQ'D
 AA DD HH
 ELECT - 120V/1PH/ 12A
 PLUG - (5-15P)
 COLOR - SUN YELLOW Y-2003 (PANELS)



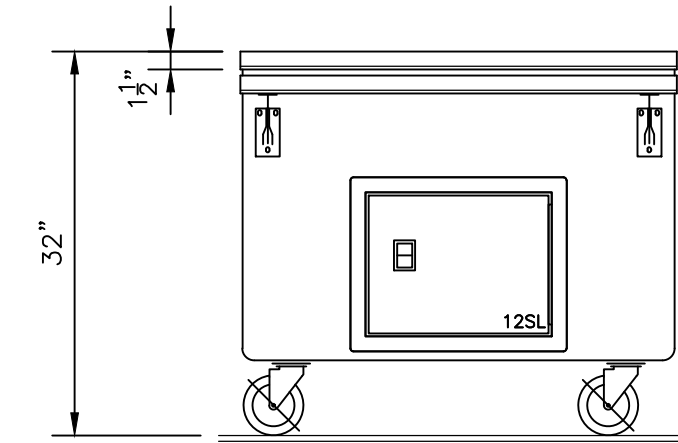
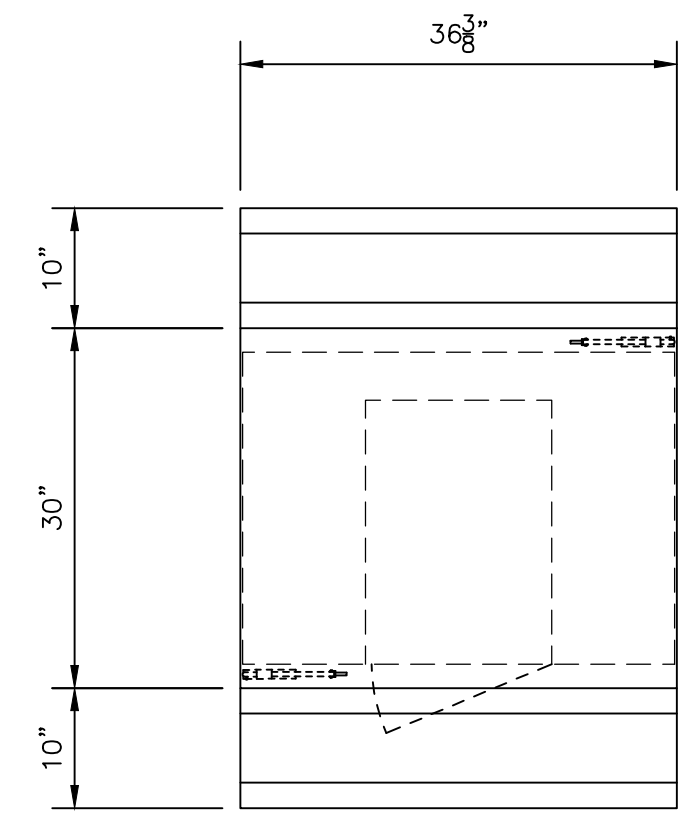
END ELEVATION ITEM #31A



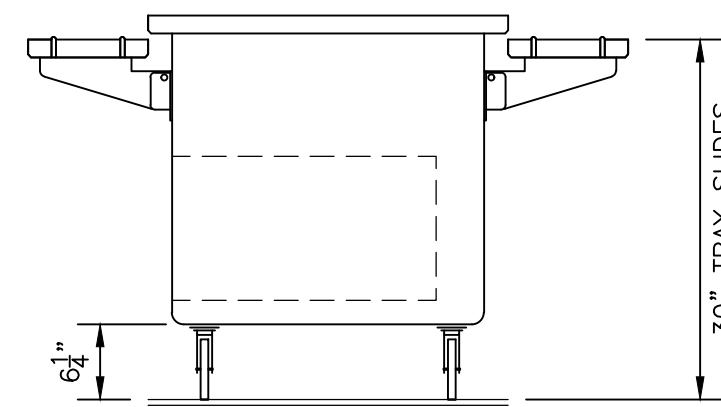
END ELEVATION ITEM #31B



ITEM #31B
 60-CSE-MOD-F
 ONE (1) REQ'D
 AA DD HH
 ELECT - 120V/1PH/ 12A
 PLUG - (5-15P)
 COLOR - SUN YELLOW Y-2003 (PANELS)



ITEM #32
 36-ST-F
 ONE (1) REQ'D
 A Y AA
 COLOR - SUN YELLOW Y-2003



END ELEVATION
 ITEM #32

SPECLINE CONSTRUCTION

- TOP - 14 GA. S/S WITH SQ. TURNDOWN ON ALL SIDES W/ CORNERS WELDED & POLISHED TO A #4 SATIN FINISH - ALL EDGES TO HAVE #7 HI-LITE FINISH.
- BODY - SEAMLESS MOLDED FIBERGLASS (F.R.P.) W/ SMOOTH SURFACE & ROUNDED CORNERS.
- BODY - 18 GA. GALV. WRAP AROUND TYPE CONSTRUCTION W/ 18 GA. GALV. BOTTOM - ALL SIDES TO BE COVERED W/ FIBERGLASS PANELS - COLOR TO BE SELECTED BY ARCHITECT - INTERIOR TO BE REINFORCED W/ 11 GA. GALV. AS TO SUPPORT SHELVING - FURN W/ 1" S/S VERTICAL TRIM AND 1/2" S/S HORIZONTAL TRIM ALONG BOTTOM EDGES.
- BODY SHELVING - 18 GA. S/S INSERT W/ COVED CORNERS & REMOVABLE TOP FOR ACCESS. FURN INTERMEDIATE ADJUSTABLE SHELF MOUNTED ON PILASTER STRIPS WHERE REQUIRED.
- CASTERS - 5" DIA. NON-MARKING, BALL BEARING SWIVEL TYPE - FURN ALL W/ BRAKES.
- QuickSwitch - 18 GA. S/S DIE-STAMPED PAN W/ 3/4" DIA. OPEN DRAIN & FULLY INSULATED. REFRIGERATION COILS BONDED TO UNDERSIDE IN MASTIC - REFRIGERATION SYSTEM TO BE A HERMETICALLY SEALED COMPRESSOR OPERATING ON R449A (HFC) REFRIGERANT DRY-MOIST ELECTRIC HEAT W/ (500 WATT @208)(661 WATTS @120/240V) HEAT SOURCE & INDIVIDUAL SOLID STATE DIGITAL CONTROLS - ALL SWITCHES AND CONTROLS ARE FULLY ACCESSIBLE.
- CASHIER RECESS - 18 GA. S/S LINER W/ 1" O.D. 16 GA. S/S TUBULAR FOOT REST.

SPECLINE OPTIONS

- (A) SOLID TRAY SLIDE - 16 GA. S/S BEADED. MOUNT ON S/S FOLD-DOWN BRACKETS.
- (N) DOUBLE SERVICE BUFFET PROTECTOR - 16 GA. S/S REMOV. TOP, W/ 1" PLEXIGLASS GUARDS & END ENCLOSURES. MOUNT ON 1" SQ. ADJ. S/S UPRIGHTS.
- (Y) HINGED DOORS - 18 GA. S/S DOUBLE PAN TYPE MOUNTED ON S/S SEMI-CONCEALED HINGES. FURN W/ S/S POSITIVE CATCH LATCH.
- (AA) LINE-UP LOCKS - BARREL BOLT & SLOT DESIGN W/ CAM LOCKING ACTION. LOCKS TO BE MOUNTED ON OPPOSING CORNERS FOR MAXIMUM VERSATILITY.
- (DD) FLUSH MOUNT OUTLET - ELECTRICAL REQUIREMENTS AS PER SPECIFICATIONS. PREWIRED TO FUSE OR SURGE PROTECTOR AS SPECIFIED. MIN. 72" GROUND SUPPLY CORD AS REQ'D.
- (HH) CASHIER'S DRAWER ASSEMBLY - 3" DEEP POWDER COATED STEEL LINER, MOUNTED ON ROLLER SLIDES - FURNISHED W/ KEYS LOCK.
- (RR) LED LIGHT STRIPS - 3.3 WATTS PER FOOT - FURN WITH 120-240/12VDC POWER SUPPLY WIRED TO POWER SWITCH.

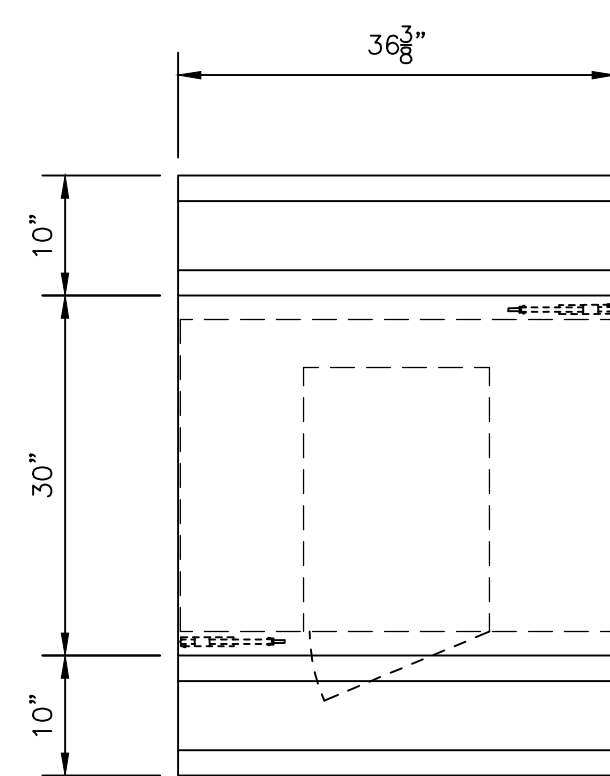
#1 - THIS DRAWING IS THE LEGAL PROPERTY OF LTI, INC. IT MAY NOT BE COPIED OR REPRODUCED WITHOUT THE WRITTEN CONSENT OF LTI. IF USED WHOLLY OR PARTIALLY TO FABRICATE OR PRODUCE EQUIPMENT OTHER THAN THAT FURNISHED BY LTI, LTI RESERVES THE RIGHT TO CHARGE 4% OF THE COST OF THE EQUIPMENT AS AN ENGINEERING AND DESIGN FEE.

#2 - LTI, INC. IS NOT RESPONSIBLE FOR EQUIPMENT MEETING LOCAL CODES UNKNOWN TO LTI. IT IS THE RESPONSIBILITY OF THE FSEC TO NOTIFY LTI OF ANY LOCAL CODES THAT AFFECT CONSTRUCTION OR MATERIALS. FSEC IS REQUIRED TO REVIEW THIS DRAWING AND NOTIFY LTI OF ANY LOCAL CODES PRIOR TO FABRICATION OR WILL INCUR ADDITIONAL ASSOCIATED COSTS.

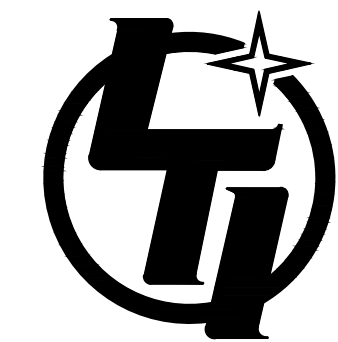
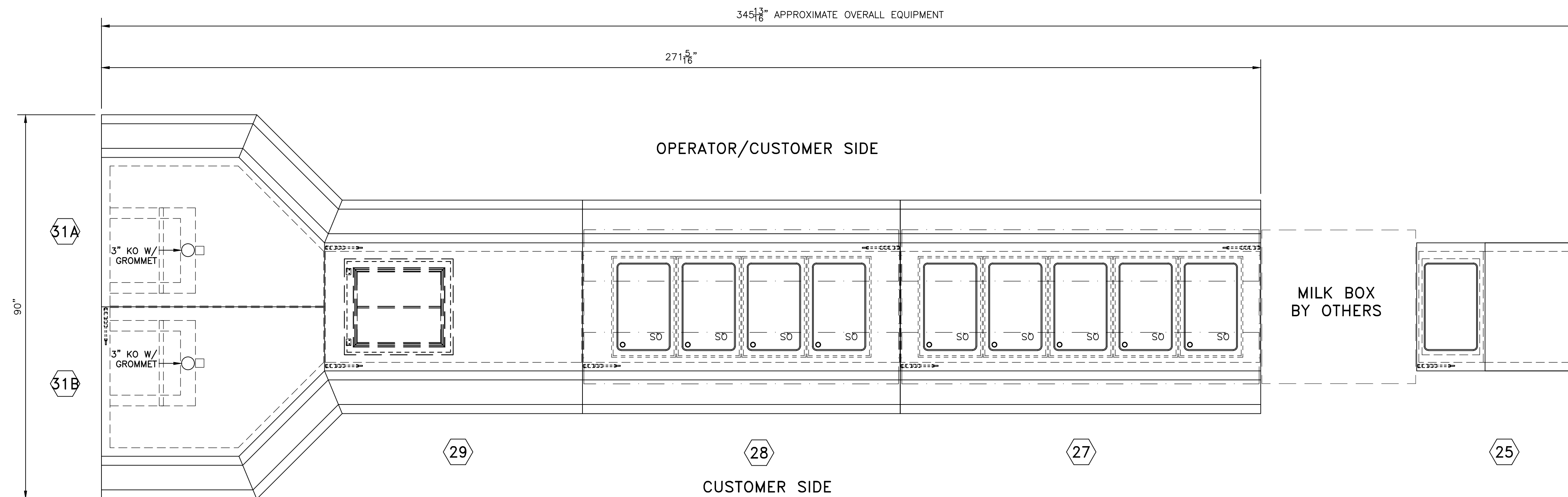
DEALER: DEACON FOODSERVICE SOLUTIONS

PROJECT: BAUCOM ELEMENTARY SCHOOL

C.O. #	CHANGES
1	1 CHANGES
2	2 CHANGES
3	3 CHANGES



32



Changing how food is served.

lowtempind.com

LTI
 1947 Bill Casey Parkway
 Jonesboro, GA 30236
 tel 770.478.8803
 fax 770.471.3715

ORDER # C1833A
 DWG# 23-C1833A-R3
 DATE: 5/22/2023
 SHEET # K2 OF 2



ANSI / NSF2, NSF4, NSF7